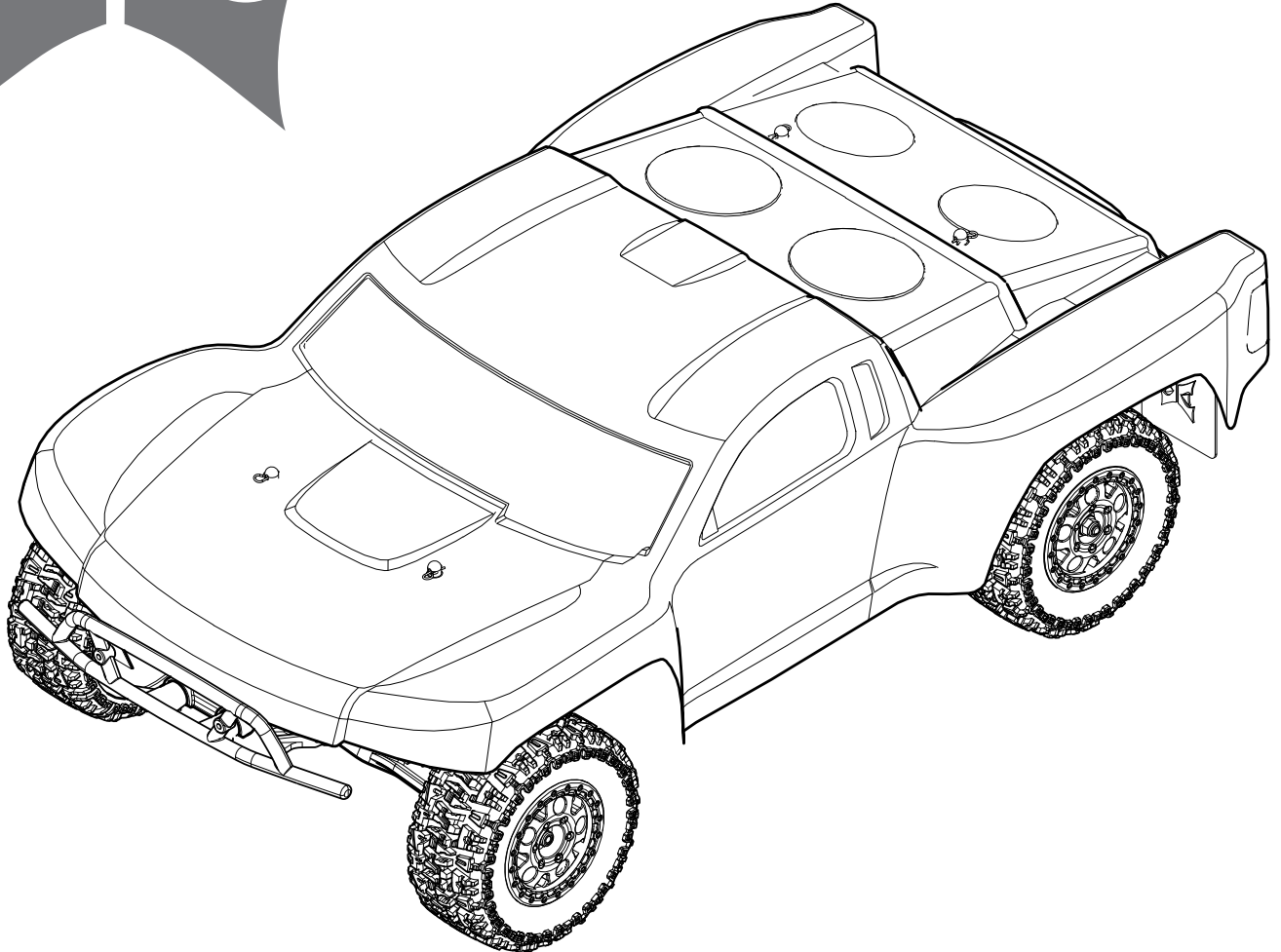




ECX™



TORMENT™

1/10 ELECTRIC SHORT COURSE TRUCK

**ECX4000S | ECX4000SAU | ECX4000SEU
ECX4100S | ECX4100SAU | ECX4100SEU**

**INSTRUCTION MANUAL
BEDIENUNGSANLEITUNG
MANUEL D'UTILISATION
MANUALE**

Congratulations on your purchase of the ECX™ Torment™ Short Course Truck. This 1/10-scale model introduces you to the sport of RC driving.

Herzlichen Glückwunsch zum Kauf des ECX™ Torment™ Short Course Truck. Dieses 1/10 Scale Model öffnet Ihnen die Welt des RC Car Sports.

Nous vous félicitons pour l'achat du ECX™ Torment™ Short Course Truck. Ce modèle 1/10 vous initie à la conduite RC.

Congratulazioni per l'acquisto di questo Torment™ Short Course Truck ECX. Questa vettura in scala 1/10 vi introdurrà nel mondo dei modelli RC.

NOTICE

All instructions, warranties and other collateral documents are subject to change at the sole discretion of Horizon Hobby, Inc.
For up-to-date product literature, visit <http://www.horizonhobby.com> and click on the support tab for this product.

Meaning of Special Language:

The following terms are used throughout the product literature to indicate various levels of potential harm when operating this product:

NOTICE: Procedures, which if not properly followed, create a possibility of physical property damage AND little or no possibility of injury.

CAUTION: Procedures, which if not properly followed, create the probability of physical property damage AND a possibility of serious injury.

WARNING: Procedures, which if not properly followed, create the probability of property damage, collateral damage, and serious injury OR create a high probability of superficial injury.



WARNING: Read the ENTIRE instruction manual to become familiar with the features of the product before operating. Failure to operate the product correctly can result in damage to the product, personal property and cause serious injury.

This is a sophisticated hobby product and NOT a toy. It must be operated with caution and common sense and requires some basic mechanical ability. Failure to operate this Product in a safe and responsible manner could result in injury or damage to the product or other property. This product is not intended for use by children without direct adult supervision. Do not attempt disassembly, use with incompatible components or augment product in any way without the approval of Horizon Hobby, Inc. This manual contains instructions for safety, operation and maintenance. It is essential to read and follow all the instructions and warnings in the manual, prior to assembly, setup or use, in order to operate correctly and avoid damage or serious injury.

Age Recommendation: Not for children under 14 years. This is not a toy.

Safety Precautions and Warnings

As the user of this product, you are solely responsible for operating in a manner that does not endanger yourself and others or result in damage to the product or the property of others.

This model is controlled by a radio signal subject to interference from many sources outside your control. This interference can cause momentary loss of control, so it is advisable to always keep a safe distance in all directions around your model as this margin will help avoid collisions or injury.

- Never operate your model with low transmitter batteries.
- Always operate your model in an open area away from cars, traffic or people.
- Never operate the model in the street or in populated areas for any reason.
- Carefully follow the directions and warnings for this and any optional support equipment (chargers, rechargeable battery packs, etc.) you use.
- Keep all chemicals, small parts and anything electrical out of the reach of children.
- Moisture causes damage to electronics. Avoid water exposure to all equipment not specifically designed and protected for this purpose.
- Never lick or place any portion of your model in your mouth as it could cause serious injury or even death.
- Exercise caution when using tools and sharp instruments.
- Take care during maintenance as some parts may have sharp edges.
- Immediately after using your model, do NOT touch equipment on the model such as the motor, electronic speed control and battery, because they generate high temperatures. You may burn yourself seriously touching them.
- Do not put fingers or any objects inside rotating and moving parts, as this may cause damage or serious injury.
- Always turn on your transmitter before you turn on the receiver in the car. Always turn off the receiver before turning your transmitter off.
- Keep the wheels of the model off the ground when checking the operation of the radio equipment.

TABLE OF CONTENTS

Safety Precautions and Warnings	2	When you are Finished.....	8
Water-Resistant Vehicle with Waterproof Electronics	3	Motor Care	8
Specifications	4	Maintenance	9
Components	4	Electronic Speed Control (ESC).....	9
Vehicle Preparations	4	Electrical Layout.....	9
Charging the Vehicle Battery	4	Shock Cleaning.....	10
Installing the Transmitter Batteries	5	Fasteners.....	10
Installing the Vehicle Battery.....	5	Binding	11
Removing the Vehicle Body	5	Troubleshooting Guide	11
Installing the Vehicle Battery.....	5	Limited Warranty	12
Transmitter controls	6	Contact Information	13
Getting Started.....	7	FCC Information.....	13
Installing the Vehicle Body	7	Compliance Information for the European Union	13
Operation.....	8	Parts Diagrams.....	50

WATER-RESISTANT VEHICLE WITH WATERPROOF ELECTRONICS

Your new Horizon Hobby vehicle has been designed and built with a combination of waterproof and water-resistant components to allow you to operate the product in many “wet conditions”, including puddles, creeks, wet grass, snow and even rain.

While the entire vehicle is highly water-resistant, it is not completely waterproof and your vehicle should NOT be treated like a submarine. The various electronic components used in the vehicle, such as the Electronic Speed Control (ESC), servo(s) and receiver are waterproof, however, most of the mechanical components are water-resistant and should not be submerged.

Metal parts, including the bearings, hinge pins, screws and nuts, as well as the contacts in the electrical cables, will be susceptible to corrosion if additional maintenance is not performed after running in wet conditions. To maximize the long-term performance of your vehicle and to keep the warranty intact, the procedures described in the “Wet Conditions Maintenance” section below must be performed regularly if you choose to run in wet conditions. If you are not willing to perform the additional care and maintenance required, then you should not operate the vehicle in those conditions.

⚠ CAUTION: Failure to exercise caution while using this product and complying with the following precautions could result in product malfunction and/or void the warranty.

General Precautions

- Read through the wet conditions maintenance procedures and make sure that you have all the tools you will need to properly maintain your vehicle.
- Not all batteries can be used in wet conditions. Consult the battery manufacturer before use. Do not use Li-Po batteries in wet conditions.
- Most transmitters are not water-resistant. Consult your transmitter’s manual or the manufacturer before operation.
- Never operate your transmitter or vehicle where lightning may be present.
- Do not operate your vehicle where it could come in contact with salt water (ocean water or water on salt-covered roads), contaminated or polluted water. Salt water is very conductive and highly corrosive, so use caution.
- Even minimal water contact can reduce the life of your motor if it has not been certified as water-resistant or waterproof. If the motor becomes excessively wet, apply very light throttle until the water is mostly removed from the motor. Running a wet motor at high speeds may rapidly damage the motor.
- Driving in wet conditions can reduce the life of the motor. The additional resistance of operating in water causes excess strain. Alter the gear ratio by using a smaller pinion or larger spur gear. This will increase torque (and motor life) when running in mud, deeper puddles, or any wet conditions that will increase the load on the motor for an extended period of time.

Wet Conditions Maintenance

- Drain any water that has collected in the tires by spinning them at high speed. With the body removed, place the vehicle upside down and pull full throttle for a few short bursts until the water has been removed.

⚠ CAUTION: Always keep hands, fingers, tools and any loose or hanging objects away from rotating parts when performing the above drying technique.

- Remove the battery pack(s) and dry the contacts. If you have an air compressor or a can of compressed air, blow out any water that may be inside the recessed connector housing.
- Remove the tires/wheels from the vehicle and gently rinse the mud and dirt off with a garden hose. Avoid rinsing the bearings and transmission.

NOTICE: Never use a pressure washer to clean your vehicle.

- Use an air compressor or a can of compressed air to dry the vehicle and help remove any water that may have gotten into small crevices or corners.
- Spray the bearings, drive train, fasteners and other metal parts with WD-40® solvent or any other water-displacing light oil. Do not spray the motor.
- Let the vehicle air dry before you store it. Water (and oil) may continue to drip for a few hours.
- Increase the frequency of disassembly, inspection and lubrication of the following:
 - Front and rear axle hub assembly bearings.
 - All transmission cases, gears and differentials.
 - Motor—clean with an aerosol motor cleaner and re-oil the bushings with lightweight motor oil.

SPECIFICATIONS

Transmitter

Frequency	2.4GHz
Battery	AA x 4

Servo

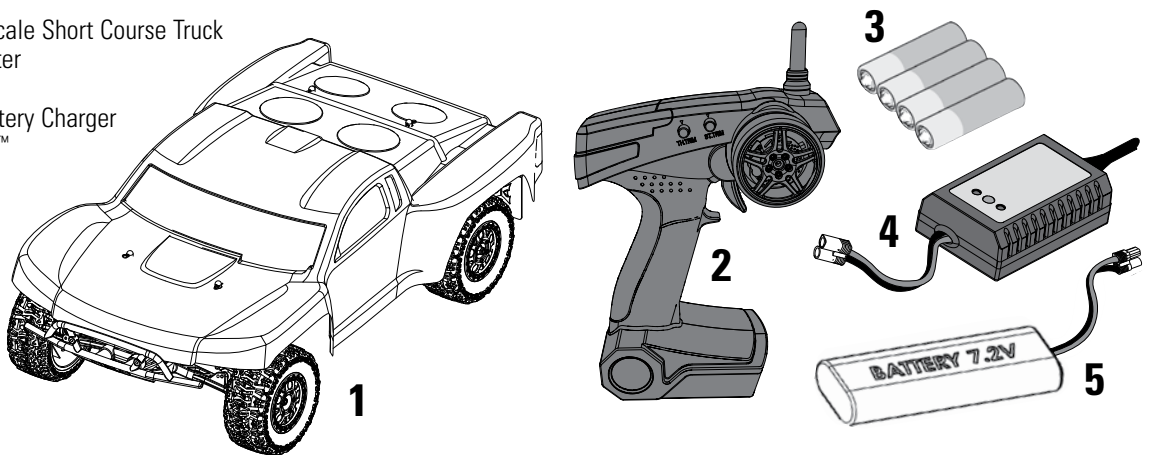
Power Supply	4.8V~6V (shared with receiver)
Output Torque	41.66 oz (3 kg-cm)
Operating Speed	0.23sec/60 degrees of travel
Size	40.5 x 20 x 36.8mm

Electronic Speed Control (ESC)

Input Voltage	7.2~8.4V
Electric Capacity (FET)	Forward 80 A/240 A
Electric Capacity (FET)	Reverse 60 A/160 A
PWM Frequency	1kHz
BEC Voltage	5 V/1 A
Size	27 x 35 x 17.3mm
Weight	34~36 g

COMPONENTS

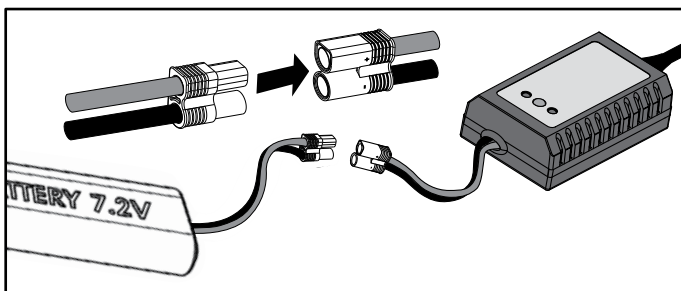
1. ECX™ Torment™ 1/10-scale Short Course Truck
2. ECX™ 2.4GHz Transmitter
3. AA (4) Batteries
4. DYN4113 2A Peak Battery Charger
5. Dynamite® Speedpack™ 7.2V Ni-MH battery (DYN1050EC)



VEHICLE PREPARATIONS

CHARGING THE VEHICLE BATTERY

1. Attach the battery connector to the battery charger as shown.
2. Connect the battery charger to an AC power outlet.
3. Disconnect the battery from the charger as soon as the battery is done charging.
4. Unplug the battery charger from the AC power outlet.



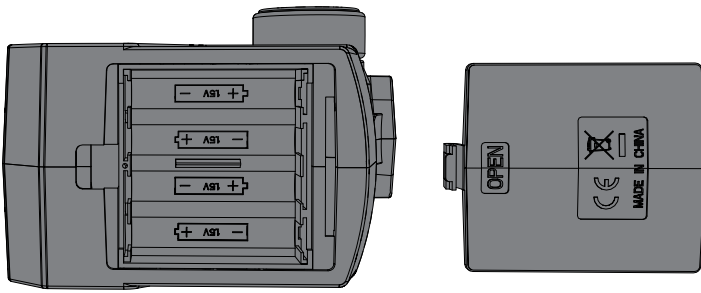
The vehicle battery charger produces 2.0 Amps 2000 milliAmps per hour. Divide the mAh capacity on the label of a battery by 2000 to know how long battery charging will require. For example, an 1800mAh battery requires .9 hours (54 minutes) to charge.

CHARGING WARNINGS AND PRECAUTIONS

Failure to exercise caution while using this product and comply with the following warnings could result in product malfunction, electrical issues, excessive heat, FIRE, and ultimately injury and property damage.

- Read all safety precautions and literature prior to use of this product.
- Never allow minors to charge battery packs.
- Never attempt to charge dead or damaged batteries.
- Never charge a battery if the cable has been pinched or shorted.
- Never allow batteries or chargers to come into contact with moisture at any time.
- Never charge batteries in extremely hot or cold places (recommended between 50–80°F or 10–26°C) or place in direct sunlight.
- Always use only Ni-MH rechargeable batteries. This charger cannot charge batteries such as "heavy duty," "alkaline battery," or "mercury battery."
- Always connect the positive red lead (+) and negative black lead (-) terminals of the battery to the charger terminals correctly.
- Always disconnect the battery and charger after charging and let them cool between charges.
- Always inspect the battery before charging.
- Always terminate all processes and contact Horizon Hobby if the product malfunctions.
- Always make sure you know the specifications of the battery to be charged or discharged to ensure it meets the requirements of this charger.
- Never connect more than one battery pack to this charger at a time.
- Always constantly monitor the temperature of the battery pack while charging.
- Always end the charging process if the charger or battery becomes hot to the touch or starts to change form during the charge process.

INSTALLING TRANSMITTER BATTERIES



⚠ CAUTION: If using rechargeable batteries, charge only rechargeable batteries. Charging non-rechargeable batteries may cause the batteries to burst, resulting in injury to persons and/or damage to property.

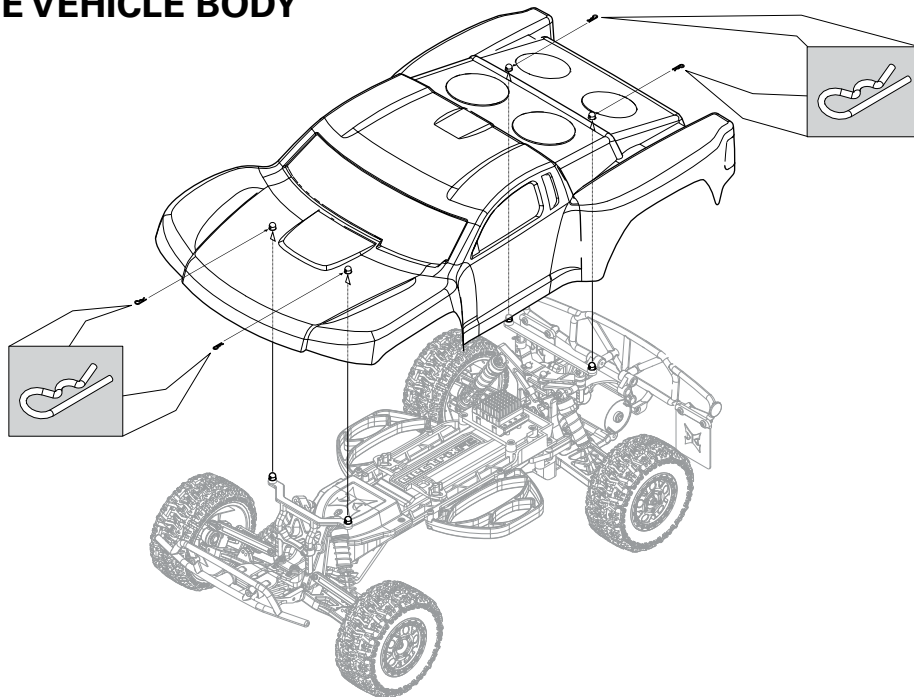
Install 4 AA alkaline batteries into the transmitter, following the instructions provided for your radio system.

We recommend using only alkaline AA batteries in the transmitter, however, it is possible to use rechargeable Ni-MH batteries.

NEVER install damaged batteries, batteries of mixed types or batteries of different ages in the transmitter. Remove exhausted batteries.

NEVER store the transmitter with batteries installed.

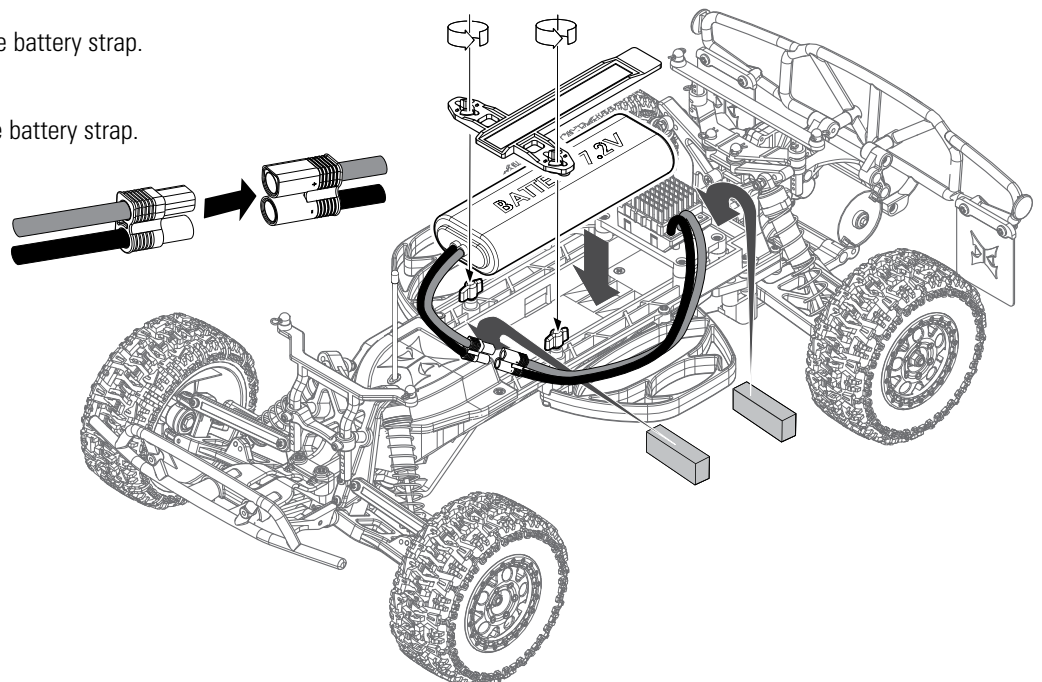
REMOVING THE VEHICLE BODY



INSTALLING THE VEHICLE BATTERY

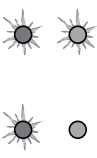
1. Loosen the thumb nuts to remove the battery strap.
2. Install the battery.
3. Reinstall the battery strap.
4. Tighten the thumb nuts to secure the battery strap.
5. Connect the battery.

If desired, you can put foam blocks (ECX2015) in front of the battery so the weight of the battery increases rear traction or in back of the battery to increase steering response.



TRANSMITTER CONTROLS

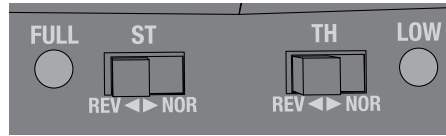
Battery Level Indicator



Solid Red and Green: Battery voltage is good (Above 4V).


Solid Red: Battery voltage is critically low (below 4V). Replace transmitter batteries.

Reverse Switch



Allows you to change the direction of steering (ST. REV) and throttle (TH. REV) controls. (Default setting for steering and throttle is "REV")

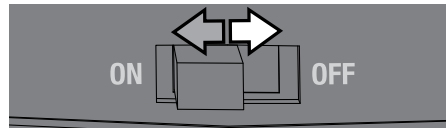
Throttle Dual Rate




Adjusts the maximum amount throttle the vehicle can be given

Power Switch

Power on or off the transmitter

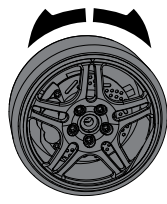


Steering Rate




Adjusts the amount the front wheels move when the steering wheel is turned left or right

Steering Wheel



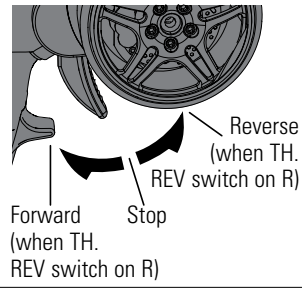
Control steering. Right and Left steering with ST. REV Switch on REV (See Reverse Switch)

Throttle Trim




Adjusts the neutral point of the electronic speed control

Throttle Trigger

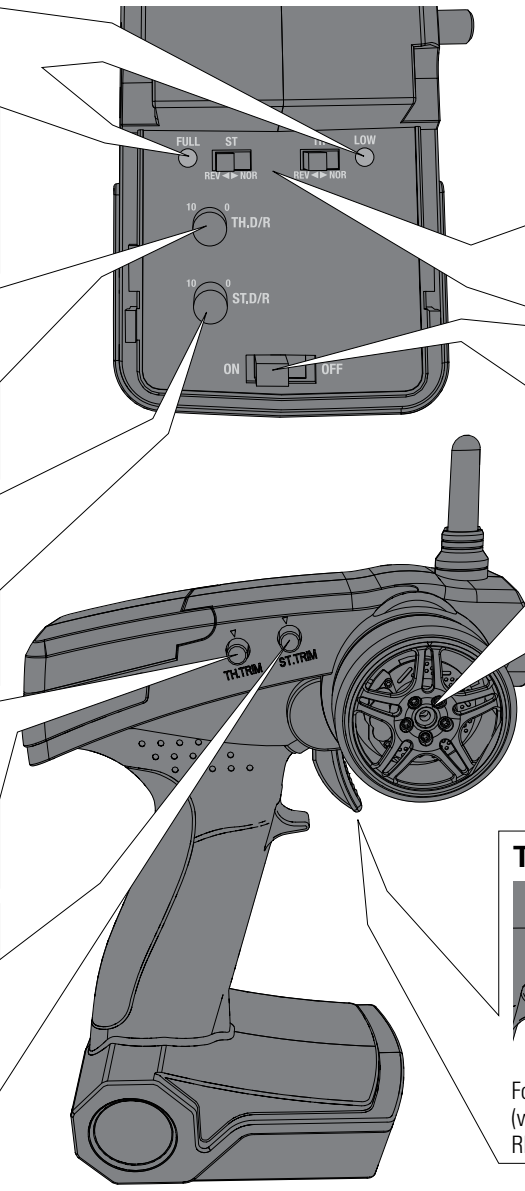


Controls power to the motor for forward or reverse (See TH. REV switch)

Steering Trim

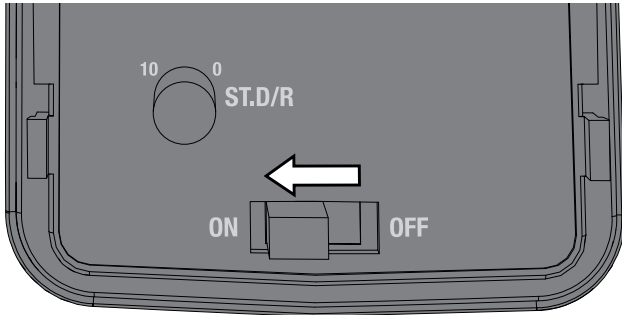


Adjust to make the vehicle drive straight with no input at the steering wheel

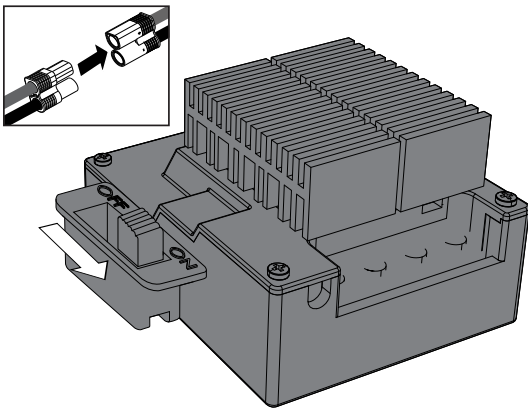


GETTING STARTED

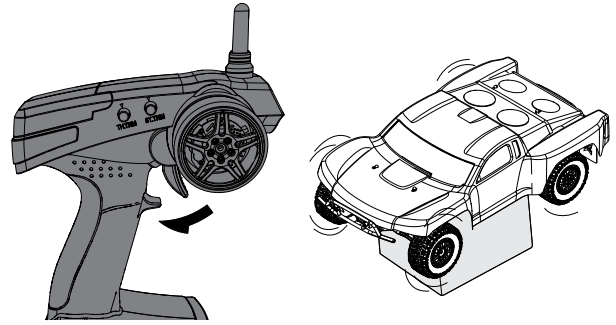
1. Power on the transmitter.



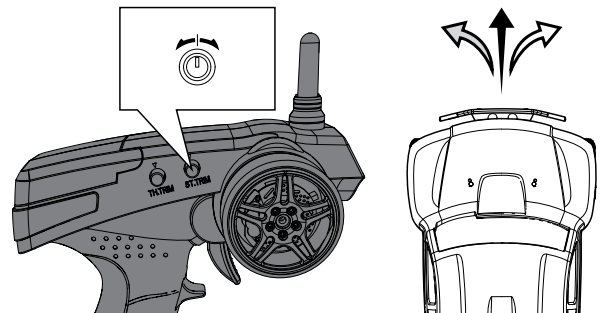
2. Power on the ESC.



3. Do a test of the transmitter's control of the vehicle with the vehicle's wheels off the ground.

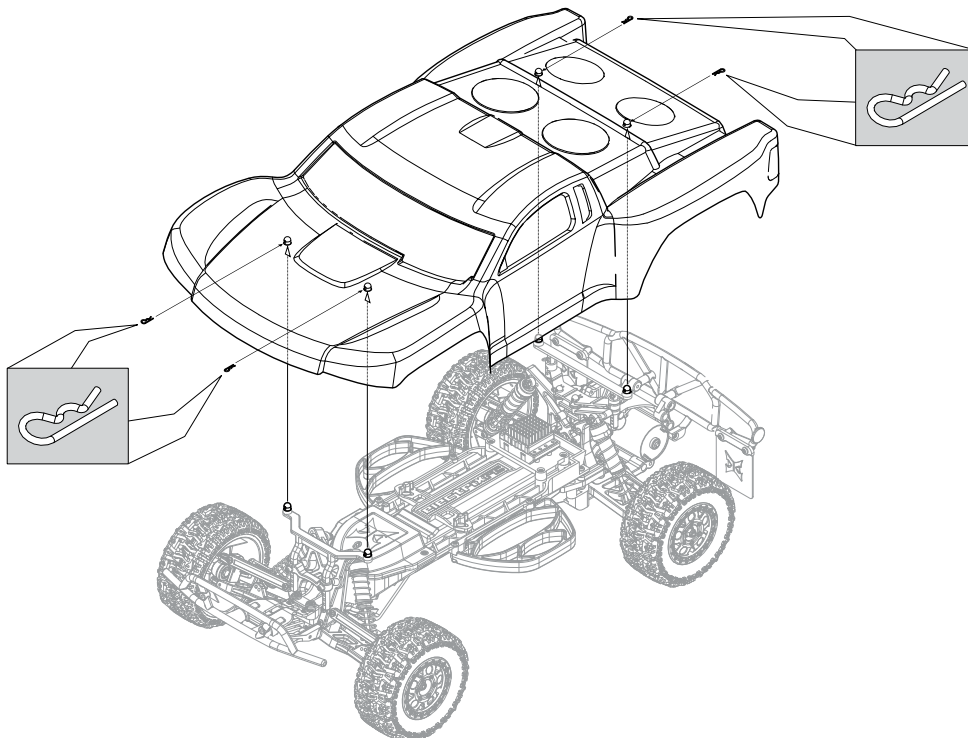


4. Start driving slowly, and, if the vehicle does not go straight, adjust the steering trim dial on the transmitter.



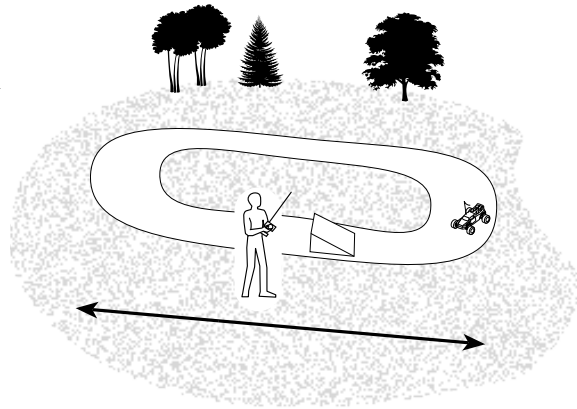
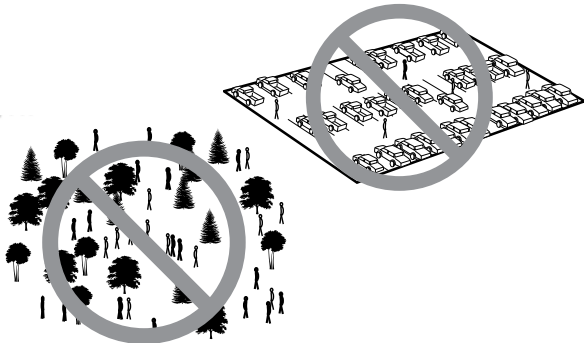
NOTICE: Seat the motor brushes by driving smoothly on a flat surface during use of the first battery charge. Properly seating the motor brushes will increase the life and performance of the motor.

INSTALLING THE VEHICLE BODY



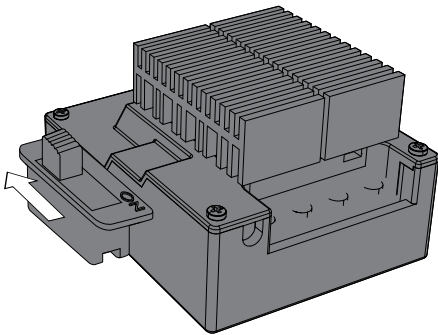
OPERATION

- ALWAYS turn on your transmitter before you turn on the receiver in the vehicle. Always turn off the receiver before turning your transmitter off.
- ALWAYS operate your vehicle in a wide open area. Operating the vehicle in a small space or indoors can cause overheating at low speeds. Operating at low speed increases heat in the electronic speed control (ESC). Overheating can damage the vehicle and failure may result.

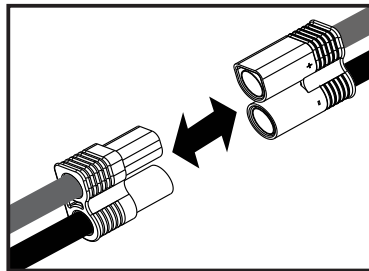


WHEN YOU ARE FINISHED

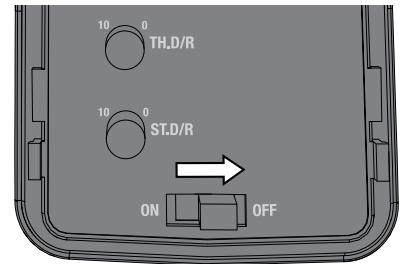
1. Power off the Electronic Speed Control (ESC).



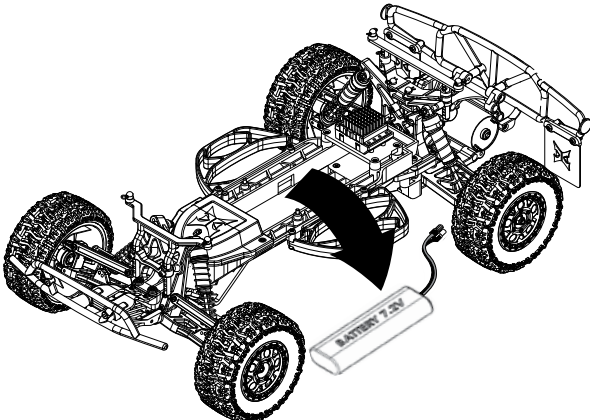
2. Disconnect the battery.



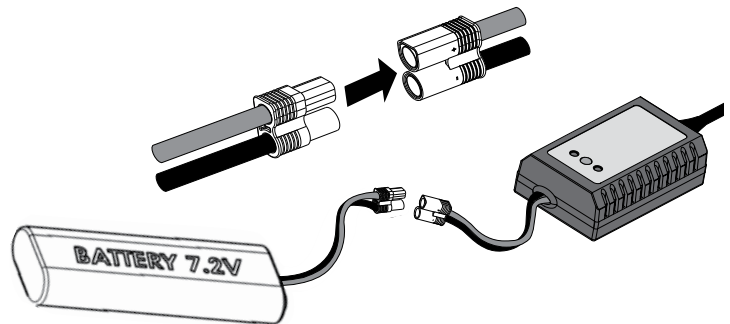
3. Power off the transmitter.



4. Remove the battery from the vehicle.



5. Recharge the battery.



MOTOR CARE

- Seat the motor brushes by driving smoothly on a flat surface during use of the first battery charge.
- Prolong motor life by preventing overheating conditions. Undue motor wear results from frequent turns, stops and starts, pushing objects, driving in deep sand and tall grass, and driving continuously up hill.
- Over-temperature protection is installed on the ESC to prevent circuit damage, but cannot protect the motor from driving against heavy resistance.

MAINTENANCE

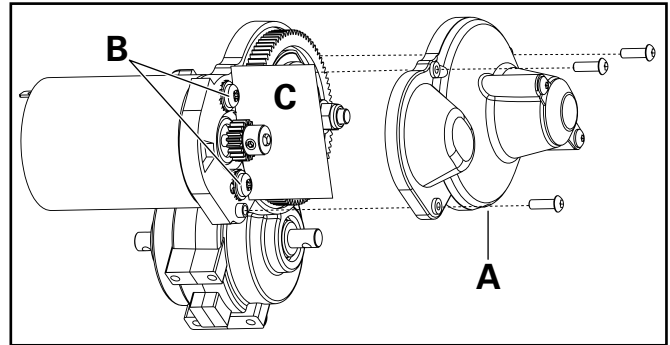
SETTING THE GEAR MESH

The gear mesh has already been set at the factory. Setting the gear mesh is only necessary when changing motors or gears.

You must remove the vehicle's gear cover (A) to make this adjustment.

Proper gear mesh (how the gear teeth meet) is important to the performance of the vehicle. When the gear mesh is too loose, the spur gear could be damaged by the pinion gear of the motor. If the mesh is too tight, speed could be limited and the motor and ESC will overheat. Set the gear mesh by following these simple steps:

1. Loosen the 2 motor screws (B).
2. Put a small piece of paper (C) between the pinion and spur gears.
3. Push the gears together while tightening the motor screws.
4. Rotate the gears to remove the paper. The gearing should move a small amount.
5. Reinstall the gear cover.

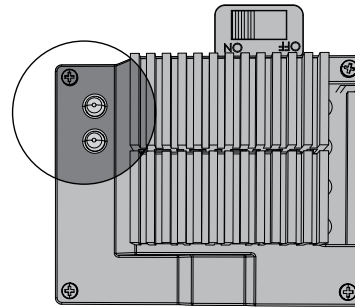


ELECTRONIC SPEED CONTROL (ESC)

Low voltage cutoff (LVC) protects the battery from overdischarge by activating when the battery reaches 1V per cell under load. The ESC will reset after approximately 10 seconds. The vehicle can then be driven slowly back to the driver for battery recharge.

Important: When the motor is disconnected or damaged, the beep may not be heard.

NOTICE: Continually driving to LVC may damage the battery.

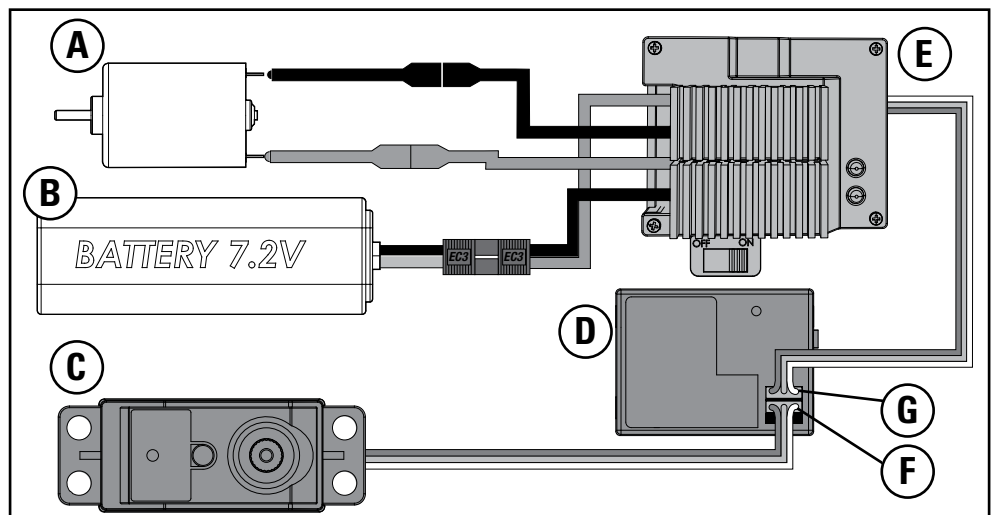


LED	LED Status Description	LED Indication
	Solid Green	Full speed Forward/ Stopped
	Solid Red	Full speed Reverse
	Solid Red & Green	Brake
	Red LEDs flashing twice with beeps	Signal that vehicle battery is low
	Red LEDs flashing three times with beeps	Motor is overloaded or temperature of ESC is high

ELECTRICAL LAYOUT

Part #	Description
A	DYN1072 Motor
B	DYN1050EC Battery 7.2V
C	DYN3900 Steering Servo
D	ECX9011 Receiver
E	DYN4925WP Electronic Speed Control (ESC)
F	Channel 1
G	Channel 2

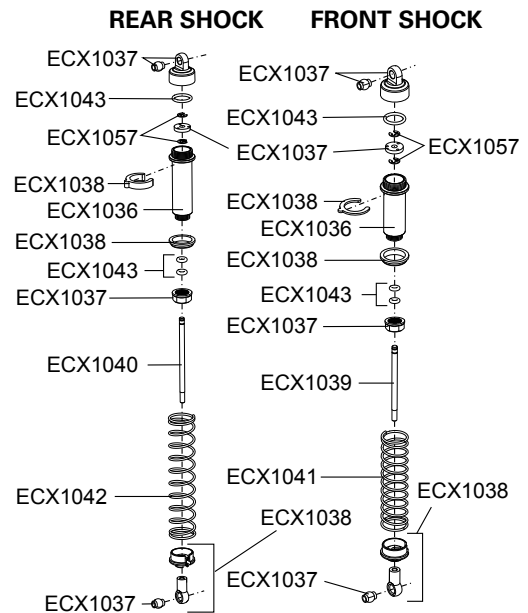
For correct operation, Channels 1 and 2 must be used as shown in the wiring diagram. The motor can be disconnected from the ESC at the connectors in the wiring.



SHOCK CLEANING

Oil-filled shocks will require regular maintenance due to the oil breaking down or getting dirty. This maintenance should be performed after about every 3 to 5 hours of use, depending on the conditions that the vehicle is used in.

- Remove the shock from the vehicle.
- Remove the cap from the shock body and dispose of fluid.
- Disassemble the shock. Clean thoroughly with DYN5505. Dry parts before assembly.
- Assemble the shock and refill the shock body with silicone fluid (30 weight recommended).
- Slowly move the shaft and piston up and down to remove air bubbles.
- Move the piston to the midway point of the body and install the cap.
- Wipe off any overflowing fluid.
- When properly filled, the piston should rebound about 3/8 in (9.5mm) after being pushed in fully.
- Install the shock on the vehicle.



Ride Height Adjustment

Ride height is an adjustment that affects the way the vehicle jumps, turns and goes over bumps. Drop one end of the vehicle from approximately 6 inches (152 mm) in height onto a flat surface. When dropping the front of the vehicle, after the vehicle settles, make sure the front arms are equal and parallel to the flat surface. Do the same with the rear to make sure both arms are parallel with the flat surface.

Lower the front ride height to increase steering. Lower the rear ride height to increase traction but decrease steering.

Part #	Description
ECX1036	Shock Body Set
ECX1037	Shock Caps, Pistons
ECX1038	Shock Parts Set
ECX1039	Front Shock Shaft (2)
ECX1040	Rear Shock Shaft (2)
ECX1041	Front Shock Springs (2)
ECX1042	Rear Shock Springs (2)
ECX1043	Shock O-Ring Set

FASTENERS

No.	Description	No.	Description	No.	Description	No.	Description
	TAPPING BINDER HEAD M3 x 10mm		BINDER HEAD M3 x 8mm		BUTTON HEX M2.5 x 4mm		SET SHAFT SCREW M3 x 13mm
	TAPPING BINDER HEAD M3 x 12mm		BINDER HEAD M3 x 12mm		BUTTON HEX M2.5 x 8mm		WASHER 5 x 7 x 0.5mm
	TAPPING BINDER HEAD M3 x 16mm		BINDER HEAD M3 x 20mm		STEP SCREW M3 x 0.5 x 7.4mm		WASHER 3 x 8 x 0.5mm
	TAPPING BINDER HEAD M3 x 18mm		BINDER HEAD M3 x 25mm		STEP SCREW M3 x 0.5 x 13.4mm		WASHER 2 x 7 x 0.5mm
	TAPPING FLAT HEAD M3 x 10mm		BUTTON HEAD M3 x 30mm		STEP SCREW M3 x 0.5 x 10.5mm		FLANGED LOCK NUT M4
	TAPPING FLAT HEAD M3 x 12mm		BUTTON HEAD M2 x 6mm		SETSCREW M3 x 3mm		LOCK NUT M3
	TAPPING FLAT HEAD M3 x 15mm		TAPPING BUTTON HEAD M3 x 10mm		SETSCREW M3 x 12mm		E-CLIP E2.5
	TAPPING FLAT HEAD M2 x 16mm						LOCK WASHER

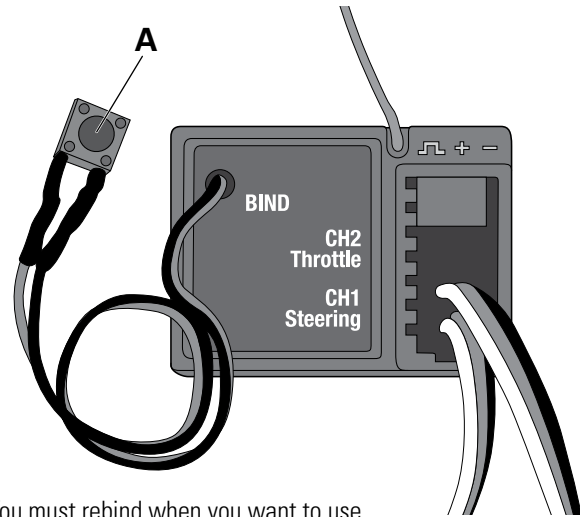
BINDING

Failsafe

In the unlikely event the radio connection is lost during use, the receiver will reduce the throttle to idle. The steering channel holds the last input command. If you power on the receiver before powering on the transmitter, the receiver enters failsafe mode with throttle at idle. When you power on the transmitter, normal control resumes.

Binding is the process of programming the receiver of the control unit to recognize the GUID (Globally Unique Identifier) code of a single specific transmitter. The included transmitter and receiver are bound at the factory. If you need to rebind, follow the instructions below.

1. Power off the transmitter and ESC.
2. Connect a fully charged battery pack to the ESC.
3. Power on the ESC.
4. Remove the front cover. Press the bind button (**A**) on the receiver. The RED LED on the receiver flashes rapidly.
5. Power on the transmitter.
6. The RED LED on the receiver turns solid when the system is bound. Replace the front cover.



You must rebind when you want to use a different transmitter.

TROUBLESHOOTING GUIDE

Problem	Possible Cause	Solution
Short Run Time	<ul style="list-style-type: none"> • Battery damaged/not charged • Motor dirty or brushes worn 	<ul style="list-style-type: none"> • Check/change battery • Check/clean/replace
Sluggish Action	<ul style="list-style-type: none"> • Motor dirty or brushes worn • Bind in drivetrain • Vehicle battery is not charged 	<ul style="list-style-type: none"> • Check/clean/replace • Clean/adjust • Replace/recharge
Controls Reversed	<ul style="list-style-type: none"> • ST. REV or TH. REV 	<ul style="list-style-type: none"> • Change switch position
Motor/ESC overheat	<ul style="list-style-type: none"> • Over-geared 	<ul style="list-style-type: none"> • Install smaller pinion
Doesn't Operate	<ul style="list-style-type: none"> • Transmitter batteries low • Transmitter powered off • ESC powered off • Vehicle battery is not charged 	<ul style="list-style-type: none"> • Replace/recharge • Power On • Power On • Replace/recharge
Poor Range	<ul style="list-style-type: none"> • Transmitter batteries low • Transmitter antenna is damaged or loose • Receiver antenna damaged 	<ul style="list-style-type: none"> • Replace/recharge • Check/tighten • Check/repair/replace
The system will not connect	<ul style="list-style-type: none"> • Transmitter and receiver too near each other • Transmitter and receiver too near large metal objects (vehicles, etc.) • Transmitter accidentally put in bind mode so receiver is no longer bound 	<ul style="list-style-type: none"> • Move transmitter 8–12 feet (2.4–3.6m) from receiver • Move away from large metal objects (vehicles, etc.) • Rebind transmitter and receiver
The receiver goes into failsafe mode a short distance away from the transmitter	<ul style="list-style-type: none"> • Check the receiver antenna to be sure it is not cut or damaged 	<ul style="list-style-type: none"> • Contact Horizon Product Support • Make sure receiver antenna is in an antenna tube and is above vehicle
The receiver quits responding during operation	<ul style="list-style-type: none"> • Low battery voltage • Loose or damaged wires or connectors between battery and receiver 	<ul style="list-style-type: none"> • Completely recharge battery • Do a check of the wires and connection between battery and receiver. Repair or replace wires and/or connectors
Receiver loses its bind	<ul style="list-style-type: none"> • Transmitter accidentally put in bind mode, ending bind to receiver 	<ul style="list-style-type: none"> • Bind transmitter to receiver

LIMITED WARRANTY

What this Warranty Covers

Horizon Hobby, Inc. ("Horizon") warrants to the original purchaser that the product purchased (the "Product") will be free from defects in materials and workmanship at the date of purchase.

What is Not Covered

This warranty is not transferable and does not cover (i) cosmetic damage, (ii) damage due to acts of God, accident, misuse, abuse, negligence, commercial use, or due to improper use, installation, operation or maintenance, (iii) modification of or to any part of the Product, (iv) attempted service by anyone other than a Horizon Hobby authorized service center, (v) Product not purchased from an authorized Horizon dealer, or (vi) Product not compliant with applicable technical regulations.

OTHER THAN THE EXPRESS WARRANTY ABOVE, HORIZON MAKES NO OTHER WARRANTY OR REPRESENTATION, AND HEREBY DISCLAIMS ANY AND ALL IMPLIED WARRANTIES, INCLUDING, WITHOUT LIMITATION, THE IMPLIED WARRANTIES OF NON-INFRINGEMENT, MERCHANTABILITY AND FITNESS FOR A PARTICULAR PURPOSE. THE PURCHASER ACKNOWLEDGES THAT THEY ALONE HAVE DETERMINED THAT THE PRODUCT WILL SUITABLY MEET THE REQUIREMENTS OF THE PURCHASER'S INTENDED USE.

Purchaser's Remedy

Horizon's sole obligation and purchaser's sole and exclusive remedy shall be that Horizon will, at its option, either (i) service, or (ii) replace, any Product determined by Horizon to be defective. Horizon reserves the right to inspect any and all Product(s) involved in a warranty claim. Service or replacement decisions are at the sole discretion of Horizon. Proof of purchase is required for all warranty claims. SERVICE OR REPLACEMENT AS PROVIDED UNDER THIS WARRANTY IS THE PURCHASER'S SOLE AND EXCLUSIVE REMEDY.

Limitation of Liability

HORIZON SHALL NOT BE LIABLE FOR SPECIAL, INDIRECT, INCIDENTAL OR CONSEQUENTIAL DAMAGES, LOSS OF PROFITS OR PRODUCTION OR COMMERCIAL LOSS IN ANY WAY, REGARDLESS OF WHETHER SUCH CLAIM IS BASED IN CONTRACT, WARRANTY, TORT, NEGLIGENCE, STRICT LIABILITY OR ANY OTHER THEORY OF LIABILITY, EVEN IF HORIZON HAS BEEN ADVISED OF THE POSSIBILITY OF SUCH DAMAGES. Further, in no event shall the liability of Horizon exceed the individual price of the Product on which liability is asserted. As Horizon has no control over use, setup, final assembly, modification or misuse, no liability shall be assumed nor accepted for any resulting damage or injury. By the act of use, setup or assembly, the user accepts all resulting liability. If you as the purchaser or user are not prepared to accept the liability associated with the use of the Product, purchaser is advised to return the Product immediately in new and unused condition to the place of purchase.

Law

These terms are governed by Illinois law (without regard to conflict of law principals). This warranty gives you specific legal rights, and you may also have other rights which vary from state to state. Horizon reserves the right to change or modify this warranty at any time without notice.

WARRANTY SERVICES

Questions, Assistance, and Repairs

Your local hobby store and/or place of purchase cannot provide warranty support or service. Once assembly, setup or use of the Product has been started, you must contact your local distributor or Horizon directly. This will enable Horizon to better answer your questions and service you in the event that you may need any assistance. For questions or assistance, please visit our website at www.horizonhobby.com, submit a Product Support Inquiry, or call 877.504.0233 toll free to speak to a Product Support representative.

Inspection or Services

If this Product needs to be inspected or serviced and is compliant in the country you live and use the Product in, please use the Horizon Online Service Request submission process found on our website or call Horizon to obtain a Return Merchandise Authorization (RMA) number. Pack the Product securely using a shipping carton. Please note that original boxes may be included, but are not designed to withstand the rigors of shipping without additional protection. Ship via a carrier that provides tracking and insurance for lost or damaged parcels, as Horizon is not responsible for merchandise until it arrives and is accepted at our facility. An Online Service Request is available at http://www.horizonhobby.com/content/_service-center_render-service-center. If you do not have internet access, please contact Horizon Product Support to obtain a RMA number along with instructions for submitting your product for service. When calling Horizon, you will be asked to provide your complete name, street address, email address and phone number where you can be reached during business hours. When sending product into Horizon, please include your RMA number, a list of the included items, and a brief summary of the problem. A copy of your original sales receipt must be included for warranty consideration. Be sure your name, address, and RMA number are clearly written on the outside of the shipping carton.

NOTICE: Do not ship LiPo batteries to Horizon. If you have any issue with a LiPo battery, please contact the appropriate Horizon Product Support office.

Warranty Requirements

For Warranty consideration, you must include your original sales receipt verifying the proof-of-purchase date. Provided warranty conditions have been met, your Product will be serviced or replaced free of charge. Service or replacement decisions are at the sole discretion of Horizon.

Non-Warranty Repairs

Should your service not be covered by warranty, service will be completed and payment will be required without notification or estimate of the expense unless the expense exceeds 50% of the retail purchase cost. By submitting the item for service you are agreeing to payment of the service without notification. Service estimates are available upon request. You must include this request with your item submitted for service. Non-warranty service estimates will be billed a minimum of ½ hour of labor. In addition you will be billed for return freight. Horizon accepts money orders and cashier's checks, as well as Visa, MasterCard, American Express, and Discover cards. By submitting any item to Horizon for service, you are agreeing to Horizon's Terms and Conditions found on our website http://www.horizonhobby.com/content/_service-center_render-service-center.

NOTICE: Horizon service is limited to Product compliant in the country of use and ownership. If non-compliant product is received by Horizon for service, it will be returned unserviced at the sole expense of the purchaser.


Contact Information

Country of Purchase	Horizon Hobby	Address	Phone Number/Email Address
United States of America	Horizon Service Center (Electronics and engines)	4105 Fieldstone Rd Champaign, Illinois 61822 USA	877-504-0233 productsupport@horizonhobby.com
	Horizon Product Support		
United Kingdom	Horizon Hobby Limited	Units 1-4 Ployters Rd Staple Tye Harlow, Essex CM18 7NS United Kingdom	+44 (0) 1279 641 097 sales@horizonhobby.co.uk
Germany	Horizon Technischer Service	Christian-Junge-Straße 1 25337 Elmshorn Germany	+49 (0) 4121 2655 100 service@horizonhobby.de
France	Horizon Hobby SAS	14 Rue Gustave Eiffel Zone d'Activité du Réveil Matin 91230 Montgeron	+33 (0) 1 60 47 44 70 infofrance@horizonhobby.com
China	Horizon Hobby - China	Room 506, No. 97 Changshou Rd. Shanghai, China 200060	+86 (021) 5180 9868 info@horizonhobby.com.cn

FCC INFORMATION

This device complies with part 15 of the FCC rules. Operation is subject to the following two conditions: (1) This device may not cause harmful interference, and (2) this device must accept any interference received, including interference that may cause undesired operation.

This product contains a radio transmitter with wireless technology which has been tested and found to be compliant with the applicable regulations governing a radio transmitter in the 2.400GHz to 2.4835GHz frequency range.

 **CAUTION:** Changes or modifications not expressly approved by the party responsible for compliance could void the user's authority to operate the equipment.

COMPLIANCE INFORMATION FOR THE EUROPEAN UNION

Declaration of Conformity (in accordance with ISO/IEC 17050-1)

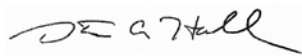
No. HH2012071401
Product(s): 1/10th Scale Torment Short Course Truck V2.0
Item Number(s): ECX4000S, ECX4100S
Equipment class: 1

The object of declaration described above is in conformity with the requirements of the specifications listed below, following the provisions of the European R&TTE directive 1999/5/EC and EMC Directive 2004/108/EC and LVD Directive 2006/95/EC:

EN 300-328 V1.7.1
EN 301 489-1 V1.7.1: 2006
EN 301 489-17 V1.3.2: 2008
EN 60950-1:2006+A12: 2011

EN55022: 2010
EN55024: 2010
EN61000-3-2:2006+A1:2009+A2:2009
EN61000-3-3:2008

Signed for and on behalf of:
Horizon Hobby, Inc.
Champaign, IL USA
July 14, 2012


Steven A. Hall
Executive VP – Chief Operating Officer
International Operations and Risk Management
Horizon Hobby, Inc.



Instructions for disposal of WEEE by users in the European Union

This product must not be disposed of with other waste. Instead, it is the user's responsibility to dispose of their waste equipment by handing it over to a designated collection point for the recycling of waste electrical and electronic equipment. The separate collection and recycling of your waste equipment at the time of disposal will help to conserve natural resources and ensure that it is recycled in a manner that protects human health and the environment. For more information about where you can drop off your waste equipment for recycling, please contact your local city office, your household waste disposal service or where you purchased the product.

HINWEIS

Alle Anweisungen, Garantien und dazugehörigen Dokumente können ohne Ankündigung von Horizon Hobby Inc. geändert werden. Eine aktuelle Version ersehen Sie bitte im Support Feld unter: <http://www.horizonhobby.com>.

ERKLÄRUNG DER BEGRIFFE:

Begriffe werden in der gesamten Produktliteratur verwendet, um auf unterschiedlich hohe Gefahrenrisiken beim Betrieb dieses Produkts hinzuweisen:

HINWEIS: Wenn diese Verfahren nicht korrekt befolgt werden, können sich möglicherweise Sachschäden UND geringe oder keine Gefahr von Verletzungen ergeben.

ACHTUNG: Wenn diese Verfahren nicht korrekt befolgt werden, ergeben sich wahrscheinlich Sachschäden UND die Gefahr von schweren Verletzungen.

WARNUNG: Wenn diese Verfahren nicht korrekt befolgt werden, ergeben sich wahrscheinlich Sachschäden, Kollateralschäden und schwere Verletzungen ODER mit hoher Wahrscheinlichkeit oberflächliche Verletzungen.



WARNUNG: Lesen Sie die GESAMTE Bedienungsanleitung, um sich vor dem Betrieb mit den Produktfunktionen vertraut zu machen. Wird das Produkt nicht korrekt betrieben, kann dies zu Schäden am Produkt oder persönlichem Eigentum führen oder schwere Verletzungen verursachen.

Dies ist ein hochentwickeltes Hobby-Produkt. Es muss mit Vorsicht und gesundem Menschenverstand betrieben werden und benötigt gewisse mechanische Grundfähigkeiten. Wird dieses Produkt nicht auf eine sichere und verantwortungsvolle Weise betrieben, kann dies zu Verletzungen oder Schäden am Produkt oder anderen Sachwerten führen. Versuchen Sie nicht ohne Genehmigung durch Horizon Hobby, Inc., das Produkt zu zerlegen, es mit inkompatiblen Komponenten zu verwenden oder auf jegliche Weise zu erweitern. Diese Bedienungsanleitung enthält Anweisungen für Sicherheit, Betrieb und Wartung. Es ist unbedingt notwendig, vor Zusammenbau, Einrichtung oder Verwendung alle Anweisungen und Warnhinweise im Handbuch zu lesen und zu befolgen, damit es bestimmungsgemäß betrieben werden kann und Schäden oder schwere Verletzungen vermieden werden.

Nicht geeignet für Kinder unter 14 Jahren. Dies ist kein Spielzeug.

Sicherheitshinweise und Warnungen

Als Nutzer dieses Produktes, sind Sie allein verantwortlich, es in einer Art und Weise zu benutzen, die eine eigene Gefährdung und die anderer oder Beschädigung an anderem Eigentum ausschließt.

Das Modell ist ferngesteuert und anfällig für bestimmte äußere Einflüsse. Diese Einflüsse können zum vorübergehenden Verlust der Steuerfähigkeit führen, so dass es immer sinnvoll ist genügend Sicherheitsabstand in alle Richtungen um das Modell zu haben.

- Fahren Sie das Modell nie mit fast leeren oder schwachen Senderbatterien
- Fahren Sie immer mit dem Modell weit weg genug von Autos, Verkehr oder Personen
- Fahren Sie Ihr Modell nicht auf der Straße oder belebten Plätzen
- Beachten Sie vorsichtig alle Hinweise und Warnungen für das Modell und allen dazu gehörigen Equipment.
- Halten Sie alle Chemikalien, Kleinteile und elektrische Bauteile aus der Reichweite von Kindern.

- Feuchtigkeit beschädigt die Elektronik. Vermeiden Sie jeglichen Wasserkontakt mit allen Bauteilen, die nicht dafür gemacht oder entsprechend geschützt sind.
- Lecken Sie niemals an Teilen von Ihrem Modell oder nehmen diese in den Mund, da diese Sie ernsthaft verletzen oder töten können.
- Seien Sie immer aufmerksam wenn Sie Werkzeug oder scharfe Instrumente verwenden.
- Seien Sie bei dem Bau vorsichtig, da einige Teile scharfe Kanten haben könnten.
- Fassen Sie bitte unmittelbar nach dem Betrieb nicht den Motor, Regler oder Akku an, da diese Teile sich sehr erwärmen können und Sie sich bei dem berühren ernsthaft verbrennen können.
- Fassen Sie nicht in drehende oder sich bewegende Teile, da sich sich ernsthaft dabei verletzen können.
- Schalten Sie immer zuerst den Sender ein, bevor Sie den Empfänger im Fahrzeug einschalten.
- Stellen Sie das Fahrzeug mit den Rädern nicht auf den Boden, wenn Sie die Funktionen überprüfen.

INHALTSVERZEICHNIS

Sicherheitshinweise und Warnungen.....	14	Nach dem Fahren.....	20
Wasserfestes Fahrzeug mit spritzwassergeschützter Elektronik	15	Motor Pflege	20
Spezifikationen	16	Wartung	21
Komponenten.....	16	Einstellen des Zahnflankenspiels.....	21
Vorbereitungen	16	Der Elektronische Fahrtenregler (ESC).....	21
Laden des Fahrakkus.....	16	Anschlussdiagramm.....	21
Einsetzen der Senderbatterien.....	17	Reinigung der Stoßdämpfer.....	22
Abnehmen der Karosserie.....	17	Befestigungen.....	22
Einsetzen des Fahrakkus.....	17	Binden.....	23
Senderkontrollen.....	18	Hilfestellung zur Problemlösung.....	23
Fertig für den Start.....	19	Garantie und Service Informationen	24
Aufsetzen der Karosserie.....	19	Garantie und Service Kontaktinformationen	25
Betrieb	20	Konformitätshinweise für die Europäische Union	25
		Explosionszeichnungen und Teilelisten	50

WASSERFESTES FAHRZEUG MIT SPRITZWASSERGESCHÜTZTER ELEKTRONIK

Ihr neues Horizon Hobby Fahrzeug wurde mit einer Kombination von wasserfesten und spritzwassergeschützten Komponenten ausgestattet, die den Betrieb des Fahrzeuges unter nassen Bedingungen inklusive Pfützen, Bächen, nassem Gras, Schnee oder sogar Regen ermöglichen.

Obwohl das Fahrzeug sehr wasserfest ausgelegt ist, ist es nicht vollständig wasserdicht und sollte NICHT wie ein U-Boot behandelt werden. Die verschiedenen elektronischen Komponenten wie der elektronische Fahrtregler (ESC), die Servos und Empfänger sind wasserdicht, die meisten mechanischen Komponenten sind nur wasserbeständig und sollten daher nicht untergetaucht werden.

Metallteile, inklusive Lager, Bolzen Schrauben und Muttern wie auch die Kontakte in den elektrischen Kabeln sind für Korrosion anfällig wenn nicht zusätzliche Wartung nach jedem Betrieb in feuchter/nasser Umgebung erfolgt. Um die Langzeitleistung und die Garantie ihres Fahrzeuges zu erhalten müssen Sie die Wartung wie in der Wartungsanleitung nach Fahrten in nasser Umgebung beschrieben durchführen. Sollten Sie diese zusätzliche Wartung nicht ausführen wollen, dürfen Sie ihr Fahrzeug unter diesen Bedingungen nicht betreiben.

⚠ ACHTUNG: Unaufmerksamkeit während des Betriebes des Produktes in Zusammenhang mit den folgenden Sicherheitshinweisen kann zu Fehlfunktionen und dem Verlust der Garantie führen.

Allgemeine Sicherheitshinweise

- Bitte lesen Sie sich die Wartungsanleitung nach Fahrten in nasser Umgebung sorgfältig durch und stellen sicher, dass Sie alle Werkzeuge für eine Wartung des Fahrzeuges haben.
- Sie können nicht alle Akkutypen für Fahrten in nasser Umgebung nutzen. Fragen Sie dazu vor dem Einsatz den Hersteller des Akkus. Verwenden Sie keine LiPo Akkus in nasser Umgebung.
- Die meisten Sender sind nicht wasserfest. Sehen Sie bitte dazu vor Inbetriebnahme in der Bedienungsanleitung ihres Senders nach oder kontaktieren Sie den Hersteller.
- Nehmen Sie niemals den Sender bei Blitzen oder Gewitter in Betrieb.
- Betreiben Sie ihr Fahrzeug nicht an Orten wo es in Kontakt mit Salzwasser oder verschmutzten, belasteten Gewässern kommen kann. Salzwasser ist sehr leitend und stark korrosionsfördernd, sein Sie daher sehr achtsam.
- Schon geringer Wasserkontakt kann den Motor beschädigen wenn er nicht für den Betrieb in Wasser ausgelegt ist. Sollte der Motor nass geworden sein geben Sie etwas Gas bis die meiste Feuchtigkeit vom Motor entfernt ist. Lassen Sie einen nassen Motor auf hoher Geschwindigkeit laufen wird dieses den Motor sehr schnell beschädigen.
- Fahren in nasser Umgebung kann die Lebenszeit des Motors reduzieren, da dieses den Motor stark beansprucht. Verändern Sie die Untersetzung zu einem kleinerem Ritzel oder größeren Zahnrad. Dieses erhöht das Drehmoment (und verlängert die Motorlebensdauer) bei dem Betrieb in Matsch, tieferen Pfützen oder anderen Bedingungen, die die Last des Motors für einen längeren Zeitraum erhöhen.

Wartungsanleitung nach Fahrten in nasser Umgebung

- Entfernen Sie das Wasser was sich in den Reifen gesammelt hat mit ein paar Stößen Gas. Nehmen Sie die Karosserie ab, drehen das Auto auf den Kopf und geben dann ein paar Gasstöße bis das Wasser weg ist.

⚠ ACHTUNG: Halten Sie immer die Hände, Finger, Werkzeuge und andere lose oder hängende Objekte weg von drehenden Teilen wenn Sie diese Technik des Trocknens praktizieren.

- Entfernen Sie die Akkupacks und trocknen die Kontakte. Sollten Sie einen Kompressor oder Druckluft zur Verfügung haben, blasen Sie damit das Wasser aus dem Motorgehäuse.
- Nehmen Sie die Reifen und Felgen vom Fahrzeug ab und spülen vorsichtig Sie mit einem Gartenschlauch ab.

HINWEIS: Verwenden Sie keinen Hochdruckreiniger um das Fahrzeug zu reinigen.

- Reinigen Sie das Fahrzeug mit Druckluft aus einem Kompressor oder einer Druckluftflasche und entfernen so das Wasser aus den Spalten und Ecken.
- Sprühen Sie die Lager, Wellen, Befestigungen mit WD-40® Öl oder einem vergleichbaren wasserverdrängenden Leichtöl ein. Sprühen Sie den Motor nicht ein.
- Lassen Sie das Fahrzeug vor dem Einlagern vollständig trocknen. Das Abtropfen von Wasser (und Öl) kann durchaus ein paar Stunden dauern.
- Erhöhen Sie die Wartungsintervalle (Demontage, Inspektion und schmieren) von folgenden Komponenten:
 - Vorder- und Hinterachse, Aufnahme und Lager,
 - Alle Antriebswellen Lager, Gehäuse, Getriebe und Differentiale.
 - Motor: reinigen Sie den Motor mit einen Aerosol Reiniger und ölen Sie dann die Lager mit leichtem Motoröl.

SPEZIFIKATIONEN

Sender

Frequenz	2.4GHz
Batterien	AA x 4

Servo

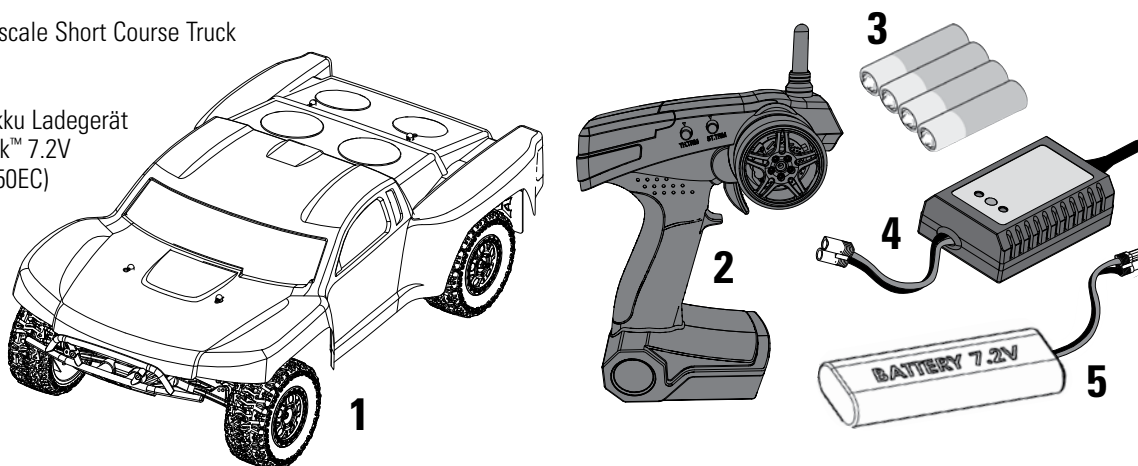
Spannung	4.8V-6V (gemeinsam mit Empfänger)
Drehmoment	41.66 oz (3 kg-cm)
Geschwindigkeit	0.23sec/60°
Maße	40.5 x 20 x 36.8mm

Elektronischer Fahrtenregler (ESC)

Eingangsspannung	7.2-8.4V
Elektronische Leistung (FET)	Vorwärts 80 A/240 A
Elektronische Leistung (FET)	Rückwärts 60 A/160 A
PWM Frequenz	1kHz
BEC Spannung	5 V/1 A
Maße	27 x 35 x 17.3mm
Gewicht	34-36 g

KOMPONENTEN

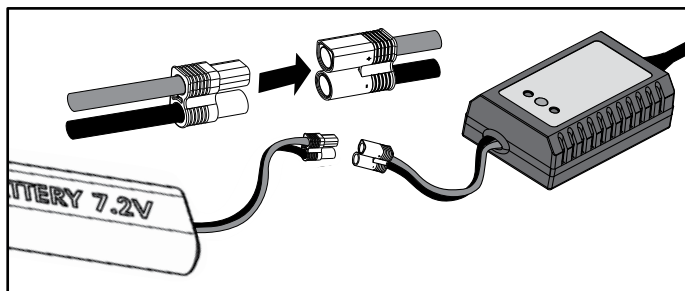
1. ECX™ Torment™ 1/10-scale Short Course Truck
2. ECX™ 2.4GHz Sender
3. AA (4) Batterien
4. DYN4113 2A Peak Akku Ladegerät
5. Dynamite® Speedpack™ 7.2V Ni-MH Akku (DYN1050EC)



VORBEREITUNGEN

LADEN DES FAHRAKKUS

1. Verbinden Sie wie abgebildet den Akkuanschluß mit dem Ladegerät.
2. Verbinden Sie wie abgebildet das Ladegerät mit einer AC Stromquelle.
3. Trennen Sie den Akku vom Ladegerät sobald der Akku fertig geladen ist.
4. Trennen Sie das Ladegerät von der AC Stromquelle.



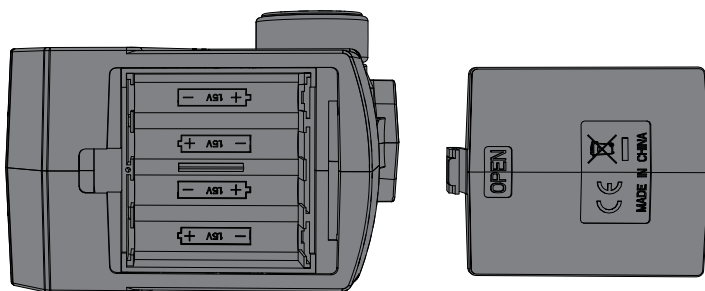
Dass Ladegerät lädt mit 2,0A (2000 mAh) per Stunde. Dividieren Sie die auf dem Akkuetikett angegebene mAh Kapazität durch 2000 um die erforderliche Ladezeit zu errechnen. So benötigt zum Beispiel ein 1800mAh Akku 0,9 Stunden = 54 Minuten zum laden.

Sicherheitshinweise und Warnungen zum Laden

Mangelnde Aufmerksamkeit während der Nutzung dieses Produktes in Verbindung mit den folgenden Warnungen kann zu Fehlfunktionen, elektrischen Störungen, großer Hitze, FEUER und tödlichen Verletzungen und Sachbeschädigungen führen.

- Bitte lesen Sie aufmerksam alle Anleitungen und Sicherheitshinweise vor Benutzung dieses Produktes durch.
- Lassen Sie niemals Minderjährige ohne direkte Aufsicht Erwachsener Akkus laden.
- Versuchen Sie niemals tiefentladene oder beschädigte Akkus zu laden.
- Laden Sie keine Akkus dessen Kabel beschädigt oder gekürzt sind.
- Lassen Sie zu keiner Zeit Akkus in Kontakt mit Feuchtigkeit kommen.
- Laden Sie keine Akkus in extrem kalten oder heißen Umgebungen oder in direkter Sonneneinstrahlung (empfohlene Umgebungstemperatur 10° - 26°)
- Laden Sie nur wiederaufladbare Akkus. Das Ladegerät kann keine Batterien wie zum Beispiel Heavy Duty, Alkaline oder Zink-Kohle Batterien laden.
- Schließen Sie immer den roten Pluspol (+) und den schwarzen Minuspol (-) korrekt am Ladegerät an.
- Trennen Sie Akku und Ladegerät immer nach dem Laden und lassen Sie das Ladegerät vor dem nächsten Einsatz abkühlen.
- Überprüfen Sie vor dem Laden immer den Akku.
- Beenden Sie bei Fehlfunktionen sofort alle Prozesse und kontaktieren den technischen Service von Horizon Hobby.
- Stellen Sie sicher, dass Sie Akkus stets nach ihren Spezifikationen entsprechend laden, Sie diese kennen und das Ladegerät dafür geeignet ist.
- Schließen Sie nicht mehr als einen Akkupack zur Zeit an das Ladegerät an.
- Überprüfen Sie konstant die Akkutemperatur während des Ladens.
- Beenden Sie sofort den Ladevorgang wenn das Ladegerät oder der Akku zu heiß zum Anfassen wird oder seine Form verändert.

EINSETZEN DER SENDERBATTEREIEN



⚠ ACHTUNG: Wenn Sie wiederaufladbare Akkus verwenden, laden Sie nur diese. Das Laden von nicht wiederaufladbaren Batterien kann die Batterien zur Explosion bringen, was Körperverletzung und Sachbeschädigung zur Folge haben kann.

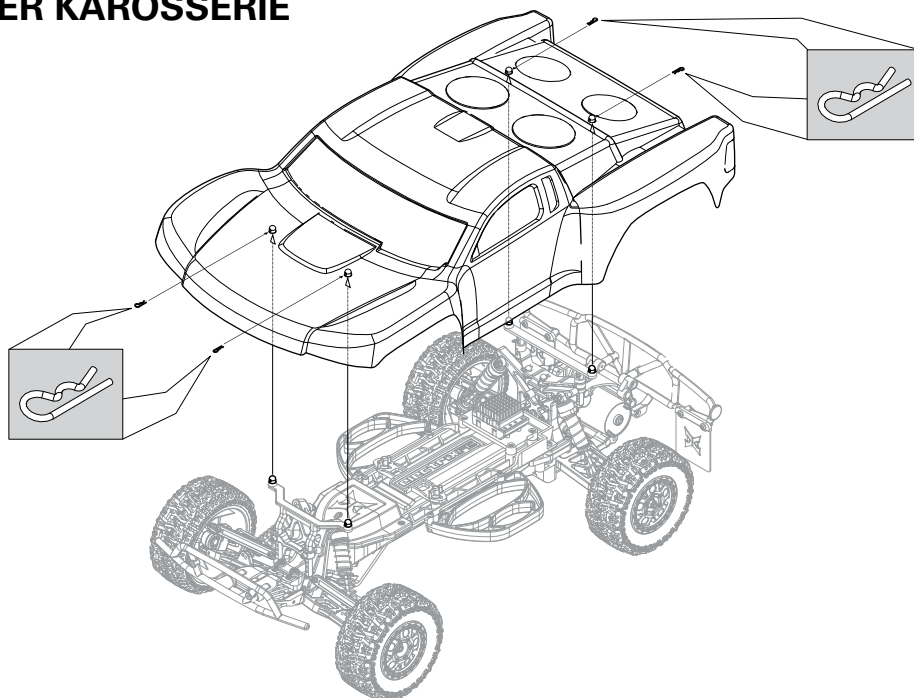
Setzen Sie gemäß der Bedienungsanleitung für ihren Sender 4AA Alkaline Batterien ein.

Wir empfehlen ausschließlich die Verwendung von Alkaline Batterien oder falls möglich wiederaufladbare Ni-MH Akkus.

Verwenden Sie im Sender NIEMALS beschädigte Batterien, Batterien verschiedener Hersteller oder verschiedenen Alters. Entfernen Sie verbrauchte Batterien aus dem Sender.

Lagern Sie NIEMALS den Sender mit eingesetzten Batterien.

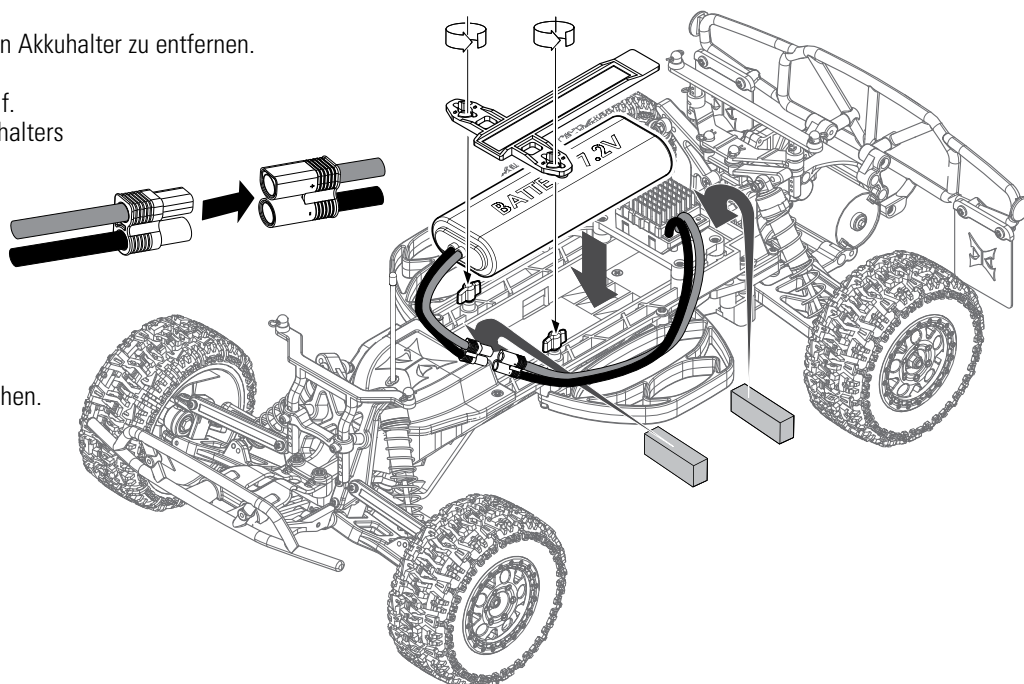
ABNEHMEN DER KAROSSERIE



EINSETZEN DES FAHRAKKUS

1. Lösen Sie die Rändelschraube um den Akkuhalter zu entfernen.
2. Setzen Sie den Akku ein.
3. Setzen Sie den Akkuhalter wieder auf.
4. Ziehen Sie zur Befestigung des Akkuhalters die Rändelschrauben an.
5. Schließen Sie den Akku an.

Falls gewünscht, können Sie die Schaumblöcke (ECX2015) vor dem Akku platzieren, so dass das Gewicht des Akkus die Traktion der Hinterachse erhöht oder hinter dem Akku um das Ansprechverhalten der Lenkung zu erhöhen.



SENDERKONTROLLEN

Batterie Status Anzeige

Leuchtet Grün und Rot:
Batteriespannung ist gut (über 4 Volt)

Leuchtet Rot:
Batteriespannung ist kritisch niedrig (unter 4Volt).
Ersetzen Sie die Batterien

Gas Dual Rate

Stellt den maximalen Gasweg ein

Steuerrate

Mit der Steuerrate stellen Sie die Größe des Lenkausschlages ein

Gastrimmung

Mit der Gastrimmung justieren Sie Neutralstellung des elektronischen Fahrtenreglers

Lenktrimmung

Mit der Lenktrimmung justieren Sie den Geradeauslauf ohne Betätigung der Lenkung

Reverse Schalter

Ermöglicht das Reversieren (umdrehen) der Steuerrichtung (ST.REV) und des Gaskanal (TH REV). Die Werkseinstellungen für die Steuerung und Gas ist "R"

Power Schalter

Schaltet den Sender EIN oder AUS

Lenkrad

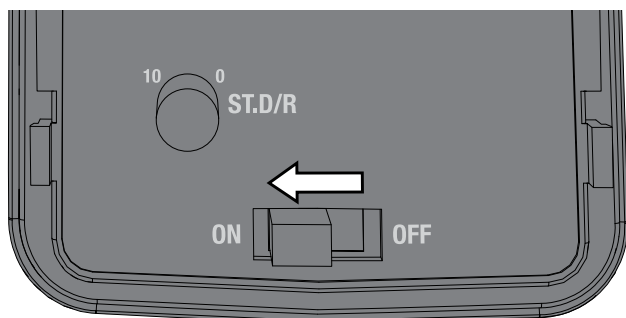
Mit dem Lenkrad kontrollieren Sie die Lenkung. Nach Links und Rechts steuern Sie wenn der ST.REV Schalter auf REV steht. (siehe Reverse Schalter)

Gashebel

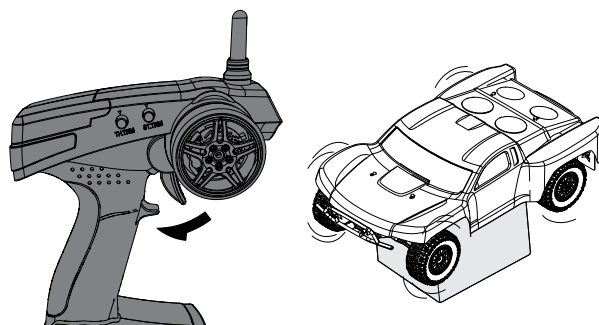
Mit dem Gashebel wird die Vorwärts und Rückwärtsfahrt kontrolliert (siehe Reverse Schalter)

FERTIG FÜR DEN START

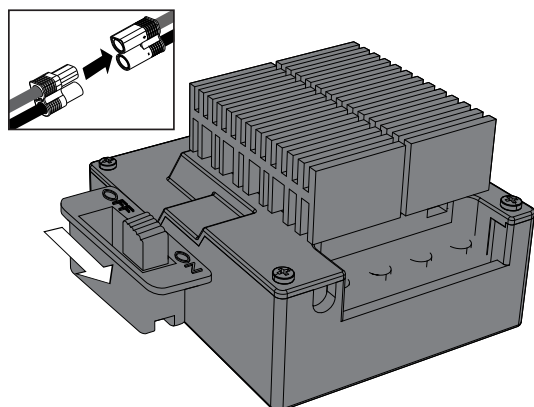
1. Schalten Sie den Sender ein.



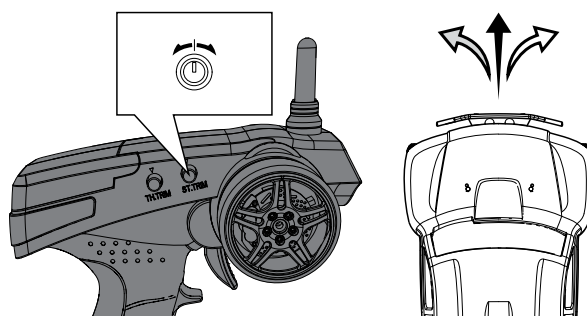
3. Testen Sie die Funktionen, halten Sie dabei die Räder frei.



2. Verbinden Sie den Fahrakku mit dem Regler und schalten den Regler ein.

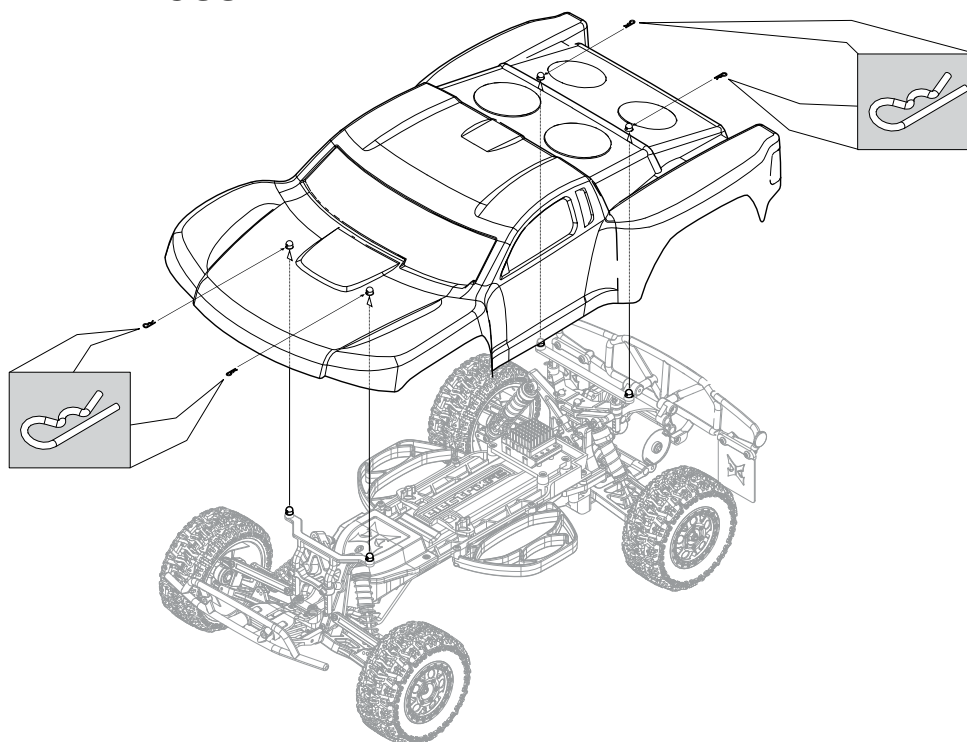


4. Fahren Sie langsam los. Stellen Sie den Geradeauslauf falls notwendig mit der Trimmung ein.



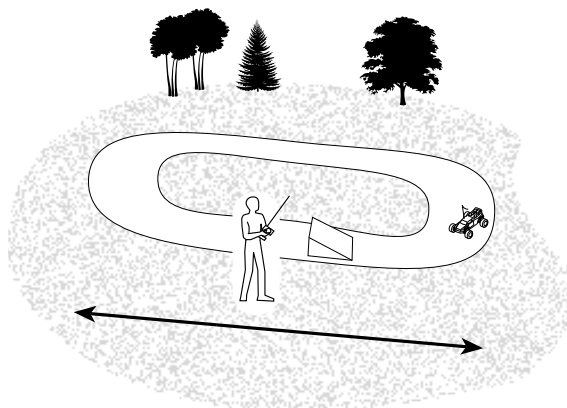
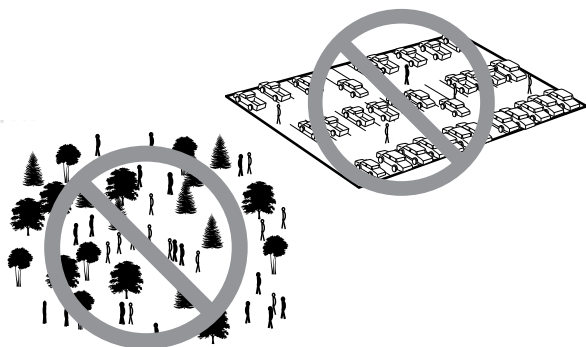
HINWEIS: Fahren Sie den Motor mit der ersten Akkuladung auf einer ebenen Oberfläche sanft ein. Das richtige Einfahren erhöht die Lebenszeit und Leistung des Motors.

AUFSETZEN DER KAROSSERIE



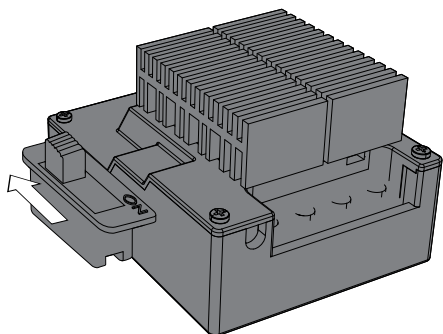
BETRIEB

- Schalten Sie **IMMER** zuerst den Sender ein, bevor Sie den Empfänger einschalten. Schalten Sie **IMMER** zuerst den Empfänger aus, bevor Sie den Sender ausschalten.
- Fahren Sie das Auto **IMMER** auf weiten offenen Flächen. Der Betrieb auf kleinen Flächen oder in Räumen mit niedriger Geschwindigkeit kann zu Hitzeentwicklung im Fahrtenregler führen. Eine Überhitzung kann das Fahrzeug beschädigen und zum Ausfall führen.

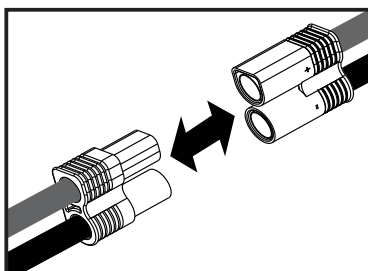


NACH DEM FAHREN

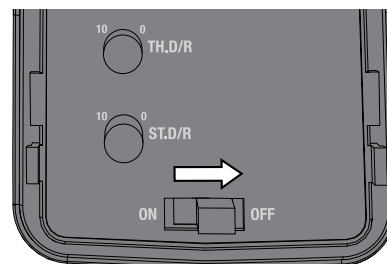
1. Schalten Sie den Regler (ESC) aus.



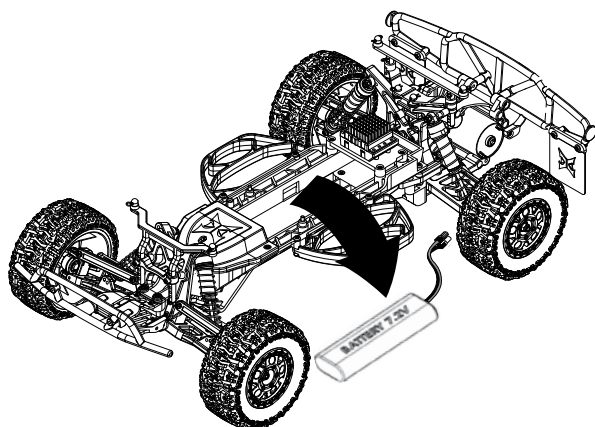
2. Trennen Sie den Akku vom Regler.



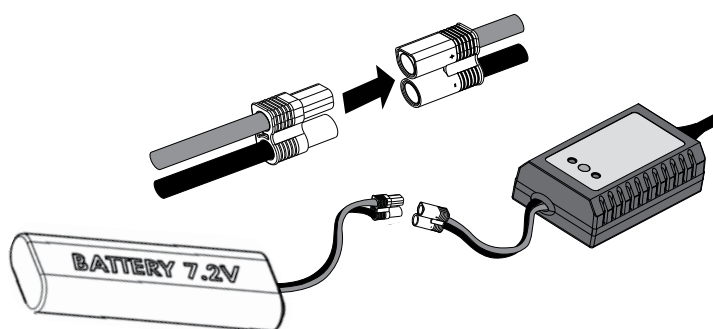
3. Schalten Sie den Sender aus.



4. Entnehmen Sie den Akku aus dem Fahrzeug.



5. Laden Sie den Akku auf.



MOTOR PFLEGE

- Fahren Sie den Motor mit der ersten Akkuladung auf einer ebenen Oberfläche sanft ein.
- Verlängern Sie die Lebensdauer Ihres Motors in dem Sie Überhitzung vermeiden. Vermeiden Sie andauernde Turns, häufige Stops und Starts, das drücken von Gegenständen,
- Fahren im tiefen Sand oder hohen Gras oder das dauernde Bergauf fahren.
- Der Fahrtenregler ist mit einem Überhitzungsschutz versehen, dieser vermeidet jedoch nicht ein blockieren des Motors.

WARTUNG

EINSTELLEN DES ZAHNFLANKENSPIELS

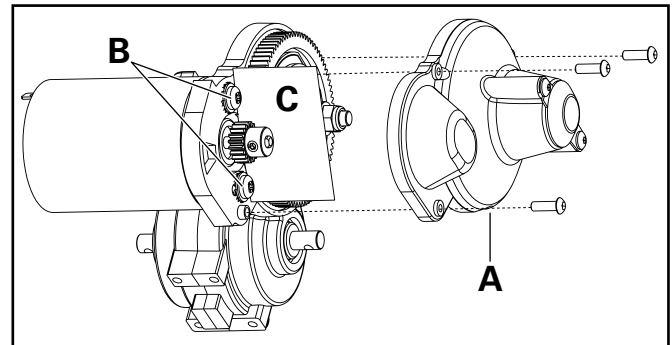
Das Zahnflankenspiel ist ab Werk eingestellt und braucht nur dann neu eingestellt werden, wenn Sie den Motor oder das Getriebe wechseln.

Für diese Einstellung nehmen Sie bitte die Getriebeabdeckung (A) ab.

Ein vernünftige Einstellung des Zahnflankenspiels ist für die Leistung des Fahrzeuges sehr wichtig. Ist das Spiel zu groß, kann das Getriebezahnrad das Motorritzel beschädigen. Ist das Spiel zu klein, kann dieses zu reduzierter Geschwindigkeit und einer Überhitzung des Reglers führen. Folgen Sie diesen einfachen Schritten um das Zahnflankenspiel einzustellen:

1. Lösen Sie die beiden Motorschrauben (B).
2. Stecken Sie einen schmalen Streifen Papier (C) zwischen Zahnrad und Ritzel.
3. Drücken Sie die beiden Zahnräder zusammen, während Sie die zwei Motorschrauben wieder fest ziehen.

4. Ziehen Sie das Papier heraus, die Zahnräder sollten sich dabei ein Stück bewegen.
5. Setzen Sie die Getriebeabdeckung wieder auf.

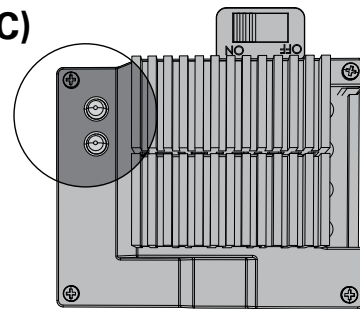


DER ELEKTRONISCHE FAHRTENREGLER (ESC)

Die Niederspannungsabschaltung schützt den Akku vor Tiefentladung wenn der Akku 1V per Zelle unter Last erreicht. Der Regler stellt sich nach ca. 10 Sekunden zurück (RESET). Das Fahrzeug kann dann langsam zum laden zurückgefahren werden.

Wichtig: Ist der Motor getrennt oder beschädigt kann das Piepen möglicherweise nicht gehört werden.

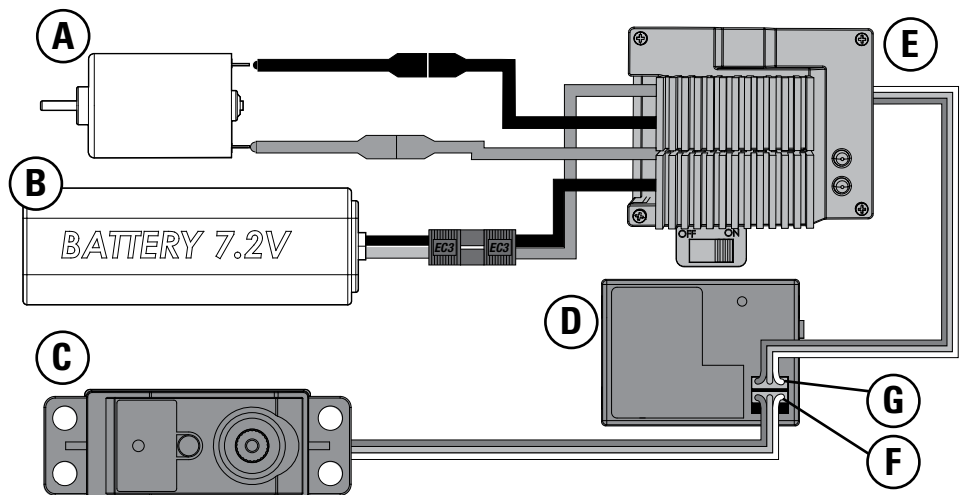
HINWEIS: Kontinuierliches Fahren in die Niederspannungsabschaltung (LVC) schädigt den Akku.



LED	LED Status Beschreibung	LED Indikator
	Leuchtet Grün	Vollgas Vorwärts/Stop
	Leuchtet Rot	Vollgas Rückwärts
	Leuchtet Rot & Grün	Bremse
	Rote LED blinkt zwei Mal mit Piepen	Signal das Fahrzeugakku leer ist
	Rote LED blinkt drei Mal mit Piepen	Motor ist überlastet oder Temperatur des Reglers zu hoch

ANSCHLUSSDIAGRAMM

Nummer	Beschreibung
A	ECX1071 Motor
B	DYN1050 Akku 7.2V
C	ECX1069 Servo
D	SPMSR200 Empfänger
E	ECX1070 Regler (ESC)
F	Kanal 1
G	Kanal 2



Bitte stellen Sie sicher, dass die Kanäle 1 und 2 wie abgebildet eingesteckt sind. Die Motorkabel können über Steckverbinder vom Regler getrennt werden.

REINIGUNG DER STOßDÄMPFER

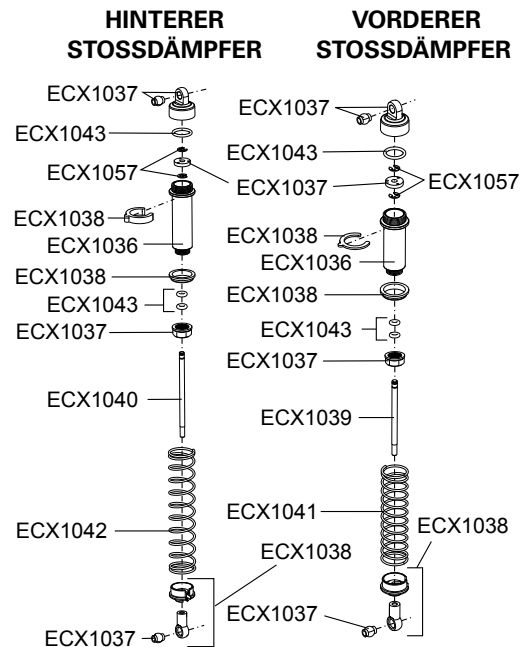
Ölgefüllte Stoßdämpfer sollten regelmäßig gewartet werden. Das Öl könnte verschmutzt oder ausgetreten sein. Die Wartung sollte je nach Beanspruchung nach ca. 3-5 Stunden Fahrbetrieb erfolgen.

- Bauen Sie den Stoßdämpfer vom Fahrzeug ab.
- Nehmen Sie die Kappe vom Dämpfer ab und entsorgen fachgerecht das Öl.
- Bauen Sie den Dämpfer auseinander. Reinigen Sie ihn mit DYN5505. Trocknen Sie alle Teile vor dem Zusammenbau.
- Bauen Sie den Dämpfer wieder zusammen und füllen ihn mit Dämpferöl (30 Viskosität empfohlen)
- Bewegen Sie langsam den Kolben rauf und runter um eventuelle Luftblasen zu entfernen.
- Bringen Sie den Kolben in die Mittelstellung und schrauben die Abdeckung wieder drauf.
- Wischen Sie evtl. austretendes Dämpferöl weg
- Ist der Dämpfer richtig befüllt sollte die Dämpfungsfunktion bei ca 9,5mm Eindruck aktiv werden.
- Bauen Sie den Dämpfer wieder an das Fahrzeug.

Fahrwerkshöheneinstellung


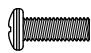

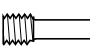


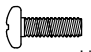



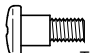



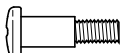

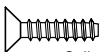

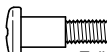

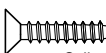
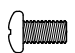


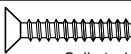



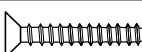

Die Höhe der Einstellung des Fahrwerks beeinflusst die Fahrdynamik des Fahrzeuges wie es sich Gelände verhält. Heben Sie das Fahrzeug am Heck ca. 15cm hoch und lassen es wieder auf die Räder fallen. (Die Vorderräder bleiben dabei am Boden) Die Querlenker sollten sich danach parallel zum Boden befinden. Heben Sie danach das Fahrzeug an den Vorderrädern hoch und überprüfen Sie danach die Querlenker der Vorderachse diese sollten auch parallel zum Boden sein.

Senken Sie die Front, erhöhen Sie damit die Steuerfähigkeit des Fahrzeuges. Senken Sie das Heck, verbessern Sie damit die Traktion an den Hinterrädern, aber verringern die Steuerfähigkeit.



Teile	Beschreibung
ECX1036	Stoßdämpfergehäuse Set
ECX1037	Stoßdämpferkappen u. Kolben
ECX1038	Stoßdämpferteile Set
ECX1039	Stoßdämpferstange vorne (2)
ECX1040	Stoßdämpferstange hinten (2)
ECX1041	Dämpferfeder vorne (2)
ECX1042	Dämpferfeder hinten (2)
ECX1043	Stoßdämpfer O-Ring Set

BEFESTIGUNGEN

No.	Beschreibung	No.	Beschreibung	No.	Beschreibung	No.	Beschreibung
	Selbstschneidene Linsenkopfschraube M3 x 10mm		Linsenkopfschraube M3 x 8mm		Linsenkopfsechskantschraube M2,5 x 4mm		Schaftschraube M3 x 13mm
	Selbstschneidene Linsenkopfschraube M3 x 12mm		Linsenkopfschraube M3 x 12mm		Linsenkopfsechskantschraube M2,5 x 8mm		Unterlegscheibe 5 x 7 x 0,5mm
	Selbstschneidene Linsenkopfschraube M3 x 16mm		Linsenkopfschraube M3 x 20mm		Teilgewindeschraube M3 x 0,5 x 7,4mm		Unterlegscheibe 3 x 8 x 0,5mm
	Selbstschneidene Linsenkopfschraube M3 x 18mm		Linsenkopfschraube M3 x 25mm		Teilgewindeschraube M3 x 0,5 x 13,4mm		Unterlegscheibe 2 x 7 x 0,5mm
	Selbstschneidene Senkkopfschraube M3 x 10mm		Linsenkopfschraube M3 x 30mm		Teilgewindeschraube M3 x 0,5 x 10,5mm		Stopmutter M4
	Selbstschneidene Senkkopfschraube M3 x 12mm		Linsenkopfschraube M2 x 6mm		Madenschraube M3 x 3mm		Stopmutter M3
	Selbstschneidene Senkkopfschraube M3 x 15mm		Selbstschneidene Linsenkopfschraube M3 x 18mm		Madenschraube M3 x 12mm		E-Clip E2,5
	Selbstschneidene Senkkopfschraube M3 x 16mm						Federring

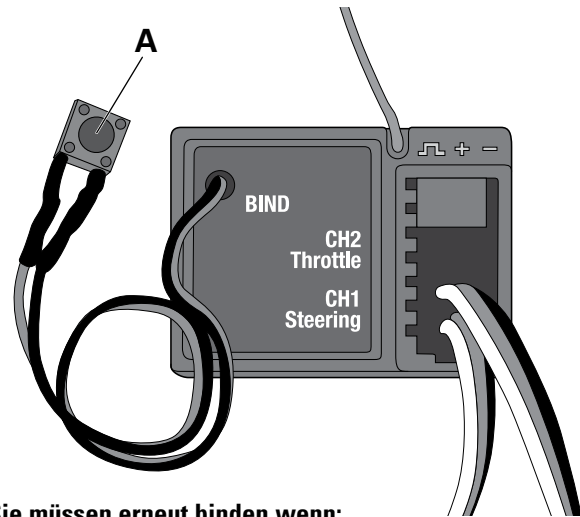
BINDEN

Failsafe

In dem unvorhergesehenen Fall, dass die Funkverbindung unterbrochen wird fährt der Empfänger die Servos in die vorprogrammierten Failsafe Positionen (Normalerweise kein Gas). Sollte der Empfänger vor dem Sender eingeschaltet werden geht der Empfänger in den Failsafe Mode und fährt den Gaskanal in die Failsafe Positionen. Wird dann der Sender eingeschaltet, besteht wieder normale Kontrolle über das Modell. Die Failsafe Positionen werden während des Bindens eingestellt.

Binden ist der Prozess der Programmierung des Empfängers mit dem senderspezifischen Signal (GUID Globally Unique Identifier). Der im Lieferumfang enthaltene Sender und Empfänger sind ab Werk bereits gebunden. Sollten Sie die Bindung erneut ausführen wollen, folgen Sie bitte den untenstehenden Anweisungen.

1. Schalten Sie den Sender und Regler aus.
2. Schließen Sie einen vollständig geladenen Akku an den Regler an.
3. Schalten Sie den Regler ein. Die rote LED auf dem Regler blinkt.
4. Drücken Sie den Binde Button (A) auf dem Empfänger. Die rote LED auf dem Regler blinkt schnell.
5. Schalten Sie den Sender ein.
6. Die rote LED auf dem Regler leuchtet wenn das System gebunden ist.



Sie müssen erneut binden wenn:

Andere Failsafe Positionen gewünscht werden oder wenn sich der Gas- oder Steuerkanal geändert haben.

Binden des Empfängers an einen anderen Sender.

HILFESTELLUNG ZUR PROBLEMLÖSUNG

Problem	mögliche Ursache	Lösung
Kurze Fahrzeit	<ul style="list-style-type: none"> • Akku beschädigt/nicht geladen • Motor verschmutzt oder Bürsten abgenutzt 	<ul style="list-style-type: none"> • Überprüfen Sie den Akku • Überprüfen/Reinigen/Ersetzen
Fahrzeug schwergängig/langsam	<ul style="list-style-type: none"> • Motor verdreckt oder Bürsten abgenutzt • Faden/Band im Antriebsstrang • Fahrakku nicht geladen 	<ul style="list-style-type: none"> • Überprüfen/Reinigen/Ersetzen • Reinigen/Einstellen • Ersetzen/Laden
Kontrollen laufen verkehrt herum	<ul style="list-style-type: none"> • ST. REV oder TH. REV verstellt 	<ul style="list-style-type: none"> • Wechseln Sie die Schalter Position
Motor/Regler überhitzt	<ul style="list-style-type: none"> • falsche Übersetzung gewählt 	<ul style="list-style-type: none"> • Bauen Sie ein kleineres Motorritzel ein
Fahrzeug fährt nicht	<ul style="list-style-type: none"> • Senderbatterien leer • Sender ausgeschaltet • Empfänger/Regler ausgeschaltet • Fahrakku nicht geladen 	<ul style="list-style-type: none"> • Ersetzen Sie die Batterien/laden Sie die Akkus • Einschalten • Einschalten • Ersetzen/Laden
Geringe Reichweite	<ul style="list-style-type: none"> • Senderbatterien leer • Sender Antenne beschädigt • Empfänger Antenne beschädigt 	<ul style="list-style-type: none"> • Ersetzen/Laden • Prüfen/Festziehen • Prüfen/Reparieren/Ersetzen
System will sich nicht verbinden	<ul style="list-style-type: none"> • Sender und Empfänger stehen zu nah zusammen • Sender und Empfänger sind zu nah an metallischen Objekten (Fahrzeugen etc.) • Sender versehentlich in den Binde Mode gebracht, dass Empfänger nicht mehr gebunden ist 	<ul style="list-style-type: none"> • Entfernen Sie den Sender 2,4 - 3,6 Meter vom Empfänger • Entfernen Sie sich von metallischen Objekten (Fahrzeuge etc.) • Binden Sie Sender und Empfänger neu
Der Empfänger geht nach kurzer Entfernung in den Failsafe Mode	<ul style="list-style-type: none"> • Prüfen Sie ob die Empfängerantenne nicht gekürzt oder beschädigt ist 	<ul style="list-style-type: none"> • Kontaktieren Sie den Service von Horizon Hobby • Stellen Sie sicher, dass sich die Antenne im Antennenröhrchen und überhalb des Fahrzeuges befindet
Der Empfänger stellt den Betrieb ein	<ul style="list-style-type: none"> • Niedrige Akkuspannung • Lose oder beschädigte Kabel oder Verbinder 	<ul style="list-style-type: none"> • Laden Sie den Akku komplett auf • Überprüfen Sie alle Kabel und Verbinder zwischen Akku und Empfänger. Reparieren oder ersetzen Sie Kabel oder Verbinder
Empfänger verliert seine Bindung	<ul style="list-style-type: none"> • Sender wurde versehentlich in den Bindemode gebracht, es besteht keine Bindung mehr zum Empfänger 	<ul style="list-style-type: none"> • Binden Sie den Sender zum Empfänger

GARANTIE UND SERVICE INFORMATIONEN

Warnung

Ein ferngesteuertes Modell ist kein Spielzeug. Es kann, wenn es falsch eingesetzt wird, zu erheblichen Verletzungen bei Lebewesen und Beschädigungen an Sachgütern führen. Betreiben Sie Ihr RC-Modell nur auf freien Plätzen und beachten Sie alle Hinweise der Bedienungsanleitung des Modells wie auch der Fernsteuerung.

Garantiezeitraum

Exklusive Garantie Horizon Hobby Inc (Horizon) garantiert, dass das gekaufte Produkt frei von Material- und Montagefehlern ist. Der Garantiezeitraum entspricht den gesetzlichen Bestimmungen des Landes, in dem das Produkt erworben wurde. In Deutschland beträgt der Garantiezeitraum 6 Monate und der Gewährleistungszeitraum 18 Monate nach dem Garantiezeitraum.

Einschränkungen der Garantie

(a) Die Garantie wird nur dem Erstkäufer (Käufer) gewährt und kann nicht übertragen werden. Der Anspruch des Käufers besteht in der Reparatur oder dem Tausch im Rahmen dieser Garantie. Die Garantie erstreckt sich ausschließlich auf Produkte, die bei einem autorisierten Horizon Händler erworben wurden. Verkäufe an dritte werden von dieser Garantie nicht gedeckt. Garantieansprüche werden nur angenommen, wenn ein gültiger Kaufnachweis erbracht wird. Horizon behält sich das Recht vor, diese Garantiebestimmungen ohne Ankündigung zu ändern oder modifizieren und widerruft dann bestehende Garantiebestimmungen.

(b) Horizon übernimmt keine Garantie für die Verkaufbarkeit des Produktes, die Fähigkeiten und die Fitness des Verbrauchers für einen bestimmten Einsatzzweck des Produktes. Der Käufer allein ist dafür verantwortlich, zu prüfen, ob das Produkt seinen Fähigkeiten und dem vorgesehenen Einsatzzweck entspricht.

(c) Ansprüche des Käufers Es liegt ausschließlich im Ermessen von Horizon, ob das Produkt, bei dem ein Garantiefall festgestellt wurde, repariert oder ausgetauscht wird. Dies sind die exklusiven Ansprüche des Käufers, wenn ein Defekt festgestellt wird. Horizon behält sich vor, alle eingesetzten Komponenten zu prüfen, die in den Garantiefall einbezogen werden können. Die Entscheidung zur Reparatur oder zum Austausch liegt nur bei Horizon. Die Garantie schließt kosmetische Defekte oder Defekte, hervorgerufen durch höhere Gewalt, falsche Behandlung des Produktes, falscher Einsatz des Produktes, kommerziellen Einsatz oder Modifikationen irgendwelcher Art aus.

Die Garantie schließt Schäden, die durch falschen Einbau, falsche Handhabung, Unfälle, Betrieb, Service oder Reparaturversuche, die nicht von Horizon ausgeführt wurden aus. Rücksendungen durch den Käufer direkt an Horizon oder eine seiner Landesvertretung bedürfen der Schriftform.

Schadensbeschränkung

Horizon ist nicht für direkte oder indirekte Folgeschäden, Einkommensausfälle oder kommerzielle Verluste, die in irgendeinem Zusammenhang mit dem Produkt stehen verantwortlich, unabhängig ab ein Anspruch im Zusammenhang mit einem Vertrag, der Garantie oder der Gewährleistung erhoben werden. Horizon wird darüber hinaus keine Ansprüche aus einem Garantiefall akzeptieren, die über den individuellen Wert des Produktes hinaus gehen. Horizon hat keinen Einfluss auf den Einbau, die Verwendung oder die Wartung des Produktes oder etwaiger Produktkombinationen, die vom Käufer gewählt werden. Horizon übernimmt keine Garantie und akzeptiert keine Ansprüche für in der Folge auftretende Verletzungen oder Beschädigungen. Mit der Verwendung und dem Einbau des Produktes akzeptiert der Käufer alle aufgeführten Garantiebestimmungen ohne Einschränkungen und Vorbehalte.

Wenn Sie als Käufer nicht bereit sind, diese Bestimmungen im Zusammenhang mit der Benutzung des Produktes zu akzeptieren, werden Sie gebeten, dass Produkt in unbenutztem Zustand in der Originalverpackung vollständig bei dem Verkäufer zurückzugeben.

Sicherheitshinweise

Dieses ist ein hochwertiges Hobby Produkt und kein Spielzeug. Es muss mit Vorsicht und Umsicht eingesetzt werden und erfordert einige mechanische wie auch mentale Fähigkeiten. Ein Versagen, das Produkt sicher und umsichtig zu betreiben kann zu Verletzungen von Lebewesen und Sachbeschädigungen erheblichen Ausmaßes führen. Dieses Produkt ist nicht für den Gebrauch durch Kinder ohne die Aufsicht eines Erziehungsberechtigten vorgesehen. Die Anleitung enthält Sicherheitshinweise und Vorschriften sowie Hinweise für die Wartung und den Betrieb des Produktes. Es ist unabdingbar, diese Hinweise vor der ersten Inbetriebnahme zu lesen und zu verstehen. Nur so kann der falsche Umgang verhindert und Unfälle mit Verletzungen und Beschädigungen vermieden werden.

Fragen, Hilfe und Reparaturen

Ihr lokaler Fachhändler und die Verkaufsstelle können eine Garantiebeurteilung ohne Rücksprache mit Horizon nicht durchführen. Dies gilt auch für Garantiereparaturen. Deshalb kontaktieren Sie in einem solchen Fall den Händler, der sich mit Horizon kurz schließen wird, um eine sachgerechte Entscheidung zu fällen, die Ihnen schnellstmöglich hilft.

Wartung und Reparatur

Muss Ihr Produkt gewartet oder repariert werden, wenden Sie sich entweder an Ihren Fachhändler oder direkt an Horizon. Rücksendungen/Reparaturen werden nur mit einer von Horizon vergebenen RMA Nummer bearbeitet. Diese Nummer erhalten Sie oder ihr Fachhändler vom technischen Service. Mehr Informationen dazu erhalten Sie im Serviceportal unter www.horizonhobby.de oder telefonisch bei dem technischen Service von Horizon.

Packen Sie das Produkt sorgfältig ein. Beachten Sie, dass der Originalkarton in der Regel nicht ausreicht, um beim Versand nicht beschädigt zu werden. Verwenden Sie einen Paketdienstleister mit einer Tracking Funktion und Versicherung, da Horizon bis zur Annahme keine Verantwortung für den Versand des Produktes übernimmt. Bitte legen Sie dem Produkt einen Kaufbeleg bei, sowie eine ausführliche Fehlerbeschreibung und eine Liste aller eingesendeten Einzelkomponenten. Weiterhin benötigen wir die vollständige Adresse, eine Telefonnummer für Rückfragen, sowie eine Email Adresse

Garantie und Reparaturen

Garantieanfragen werden nur bearbeitet, wenn ein Originalkaufbeleg von einem autorisierten Fachhändler beiliegt, aus dem der Käufer und das Kaufdatum hervorgeht. Sollte sich ein Garantiefall bestätigen wird das Produkt repariert oder ersetzt. Diese Entscheidung obliegt einzig Horizon Hobby.

Kostenpflichtige Reparaturen

Liegt eine kostenpflichtige Reparatur vor, erstellen wir einen Kostenvorschlag, den wir Ihrem Händler übermitteln. Die Reparatur wird erst vorgenommen, wenn wir die Freigabe des Händlers erhalten. Der Preis für die Reparatur ist bei Ihrem Händler zu entrichten. Bei kostenpflichtigen Reparaturen werden mindestens 30 Minuten Werkstattzeit und die Rückversandkosten in Rechnung gestellt. Sollten wir nach 90 Tagen keine Einverständniserklärung zur Reparatur vorliegen haben, behalten wir uns vor, das Produkt zu vernichten oder anderweitig zu verwerten.

⚠ ACHTUNG: Kostenpflichtige Reparaturen nehmen wir nur für Elektronik und Motoren vor. Mechanische Reparaturen, besonders bei Hubschraubern und RC-Cars sind extrem aufwendig und müssen deshalb vom Käufer selbst vorgenommen werden.

Garantie und Service Kontaktinformationen

Land des Kauf	Horizon Hobby	Adresse	Telefon / E-mail Adresse
Deutschland	Horizon Technischer Service	Christian-Junge-Straße 1 25337 Elmshorn, Deutschland	+49 (0) 4121 2655 100 service@horizonhobby.de

KONFORMITÄTSHINWEISE FÜR DIE EUROPÄISCHE UNION



Konformitätserklärung laut Allgemeine Anforderungen (ISO/IEC 17050-1:2004, korrigierte Fassung 2007-06-15); Deutsche und Englische Fassung EN ISO/IEC 17050-1:2010

Declaration of conformity (in accordance with ISO/IEC 17050-1)

No. HH2012071401

Horizon Hobby GmbH
Christian-Junge-Straße 1
D-25337 Elmshorn

erklärt das Produkt: ECX 1/10th Scale Torment Short Course Truck V2.0 (ECX4000S, ECX4100S)
declares the product: ECX 1/10th Scale Torment Short Course Truck V2.0 (ECX4000S, ECX4100S)

Geräteklasse: 1
Equipment class: 1

den grundlegenden Anforderungen des §3 und den übrigen einschlägigen Bestimmungen
des FTEG (Artikel 3 der R&TTE) entspricht, EMV-Richtlinie 2004/108/EC und LVD 2006/95/EC.

complies with the essential requirements of §3 and other relevant provisions of the
FTEG (Article 3 of the R&TTE directive), EMC Directive 2004/108/EC and LVD 2006/95/EC.

Angewendete harmonisierte Normen:
Harmonised standards applied:

EN 300-328 V1.7.1
EN 301 489-1 V1.7.1: 2006
EN 301 489-17 V1.3.2: 2008
EN 60950-1:2006+A12: 2011

EN55022: 2010
EN55024: 2010
EN61000-3-2:2006+A1:2009+A2:2009
EN61000-3-3:2008



Elmshorn, 14.07.2012


Steven A. Hall
Geschäftsführer
Managing Director


Birgit Schamuhn
Geschäftsführerin
Managing Director

Horizon Hobby GmbH; Christian-Junge-Straße 1 D-25337 Elmshorn
HR Pi: HRB 1909; UStIDNr.: DE812678792; Str.Nr.: 1829812324
Geschäftsführer: Birgit Schamuhn, Steven A. Hall
Tel.: +49 (0) 4121 2655 100 Fax: +49 (0) 4121 4655 111
eMail: info@horizonhobby.de; Internet: www.horizonhobby.de

Es gelten unsere allgemeinen Geschäftsbedingungen, die in unseren Geschäftsräumen eingesehen werden können.
Die Ware bleibt bis zur vollständigen Bezahlung Eigentum der Horizon Hobby GmbH



Entsorgung in der Europäischen Union

Dieses Produkt darf nicht über den Hausmüll entsorgt werden. Es ist die Verantwortung des Benutzers, dass Produkt an einer registrierten Sammelstelle für Elektroschrott abzugeben diese Verfahren stellt sicher, dass die Umwelt geschont wird und natürliche Ressourcen nicht über die Gebühr beansprucht werden. Dadurch wird das Wohlergehen der menschlichen Gemeinschaft geschützt. Für weitere Informationen, wo der Elektromüll entsorgt werden kann, können Sie Ihr Stadtbüro oder Ihren lokalen Entsorger kontaktieren.

REMARQUE

Toutes les instructions, garanties et autres documents de garantie sont sujets à la seule discrétion de Horizon Hobby, Inc. Veuillez, pour une documentation produit bien à jour, visiter le site internet <http://www.horizonhobby.com>.

SIGNIFICATION DE CERTAINS MOTS:

Les termes suivants servent, tout au long de la littérature produits, à désigner différents niveaux de blessures potentielles lors de l'utilisation de ce produit:

REMARQUE : procédures qui, si elles ne sont pas suivies correctement, peuvent entraîner des dégâts matériels ET éventuellement un faible risque de blessures.

ATTENTION : procédures qui, si elles ne sont pas suivies correctement, peuvent entraîner des dégâts matériels ET des blessures graves.

AVERTISSEMENT : procédures qui, si elles ne sont pas suivies correctement, peuvent entraîner des dégâts matériels, des dommages collatéraux et des blessures graves OU engendrer une probabilité élevée de blessure superficielle.



AVERTISSEMENT : Lisez la TOTALITE du manuel d'utilisation afin de vous familiariser avec les caractéristiques du produit avant de le faire fonctionner. Une utilisation incorrecte du produit peut avoir comme résultat un endommagement du produit lui-même, celui de propriétés personnelles voire entraîner des blessures graves.

Ceci est un produit de loisirs perfectionné et NON PAS un jouet. Il doit être manipulé avec prudence et bon sens et requiert quelques aptitudes de base à la mécanique. L'incapacité à manipuler ce produit de manière sûre et res-ponsable peut provoquer des blessures ou des dommages au produit ou à d'autres biens. Ce produit n'est pas destiné à être utilisé par des enfants sans la surveillance directe d'un adulte. Ne pas essayer de désassembler le produit, de l'utiliser avec des composants incompatibles ou d'en améliorer les performances sans l'approbation de Horizon Hobby, Inc. Ce manuel comporte des instructions de sécurité, d'utilisation et d'entretien. Il est capital de lire et de respecter toutes les instructions et avertissements du manuel avant l'assemblage, le réglage ou l'utilisation afin de le manipuler correctement et d'éviter les dommages ou les blessures graves.

14 ans et plus. Ceci n'est pas un jouet.

Précautions et avertissements liés à la sécurité

En tant qu'utilisateur de ce produit, il est de votre seule responsabilité de le faire fonctionner d'une manière qui ne mette en danger ni votre personne, ni de tiers et qui ne provoque pas de dégâts au produit lui-même ou à la propriété d'autrui.

Ce modèle est contrôlé par un signal radio, qui peut être soumis à des interférences provenant de nombreuses sources hors de votre contrôle. Ces interférences peuvent provoquer une perte momentanée de contrôle. Il est donc conseillé de garder une bonne distance de sécurité tout autour de votre modèle, ce qui aidera à éviter les collisions ou les blessures.

- Ne faites jamais fonctionner votre modèle lorsque les batteries de l'émetteur sont faibles.
- Faites toujours fonctionner votre modèle dans une zone dégagée, à l'écart des voitures, de la circulation ou de personnes.
- Ne faites jamais et pour quelque raison que ce soit fonctionner votre modèle dans la rue ou dans des zones habitées.
- Respectez scrupuleusement les instructions et avertissement à cet effet ainsi que pour tous les équipements optionnels/complémentaires (chargeurs, packs de batteries rechargeables, etc.) que vous utilisez.
- Tenez tous les produits chimiques, les petites pièces et les composants électroniques hors de portée des enfants.

- L'humidité endommage les composants électroniques. Evitez d'ex-poser à l'eau tout équipement non conçu et protégé à cet effet.
- Ne léchez ni ne mettez jamais en bouche quelque partie de votre modèle que ce soit-risque de blessures graves et danger de mort.
- Faites bien attention lors de l'utilisation d'outils et lors de l'utilisation d'instruments coupants.
- Faites bien attention lors du montage, certaines pièces peuvent avoir des bords coupants.
- Après avoir utilisé votre modèle, NE touchez pas à certaines de ses pièces telles que le moteur, le contrôleur électronique de vitesse et la batterie, car elles peuvent encore se trouver à des températures élevées. Vos risquez de vous brûler gravement en cas de contact avec elles.
- Ne mettez ni vos doigts ni aucun autre objet entre des pièces en rotation ou en mouvement, vous risqueriez des dommages ou des blessures graves.
- Toujours allumer votre émetteur avant d'allumer le récepteur du véhicule. Toujours éteindre le récepteur avant d'éteindre votre émetteur.
- Veillez à ce que les roues du modèle ne soient pas en contact avec le sol lorsque vous contrôlez le fonctionnement de votre équipement radio.

TABLE DES MATIÈRES

Précautions et avertissements liés à la sécurité.....	26
Véhicule résistant à l'eau équipé d'une électronique étanche	27
Caractéristiques	28
Eléments.....	28
Vehicle Preparations	28
Charge de la batterie du véhicule.....	28
Installation des Piles de l'Émetteur	29
Dépose de la Carrosserie.....	29
Installation de la Batterie sur le Véhicule	29
Fonctions de l'Émetteur	30
Mise en Fonctionnement	31
Pose de la Carrosserie du Véhicule	31
Utilisation.....	32

Fin d'Utilisation.....	32
Utilisation du Moteur.....	32
Maintenance	33
Reglage de l'Entre Dents	33
Contrôleur électronique de vitesse.....	33
Schéma Électrique	33
Nettoyage de l'Amortisseur.....	34
Visserie.....	34
Affectation	35
Guide de Dépannage.....	35
Garantie et Réparations	36
Coordonnées de Garantie et réparations.....	37
Informations de Conformité pour l'Union Européenne	37
Vue Éclatée des Pièces.....	50

VÉHICULE RÉSISTANT À L'EAU ÉQUIPÉ D'UNE ÉLECTRONIQUE ÉTANCHE

Votre nouveau véhicule Horizon Hobby a été conçu et fabriqué en combinant des composants étanches et des composants résistants à l'eau vous permettant d'utiliser ce produit dans plusieurs "Conditions Humides" incluant les flaques d'eau, les ruisseaux, l'herbe humide, la neige et même la pluie.

Bien que le véhicule possède une grande résistance vis à vis de l'eau, il n'est pas entièrement étanche et votre véhicule ne doit PAS être utilisé comme un sous-marin. Les différents composants électroniques installés sur le véhicule, comme le Variateur de vitesse électronique (ESC), le ou les servo(s) et le récepteur sont étanches, cependant la plupart des composants mécaniques résistent aux projections d'eau mais ne doivent pas être immergés.

Les pièces métalliques comme les roulements, les axes de suspension, les vis et les écrous ainsi que les contacts des prises des câbles électriques sont exposés à l'oxydation si vous n'effectuez un entretien supplémentaire après avoir utilisé le produit dans des conditions humides. Pour conserver à long terme les performances de votre véhicule et conserver la garantie, les procédures décrites dans la section « Maintenance en conditions humides » doivent être régulièrement effectuées si vous roulez dans des conditions humides. Si vous ne souhaitez pas effectuer la maintenance supplémentaire requise, n'utilisez pas le véhicule dans ces conditions.

⚠ ATTENTION : Un défaut de soin durant l'utilisation et un non-respect des consignes suivantes peut entraîner un dysfonctionnement du produit et/ou annuler la garantie.

Précautions générales

- Lisez avec attention les procédures de maintenance en conditions humides et vérifiez que vous possédez tous les outils nécessaires pour effectuer la maintenance du véhicule.
- Toutes les batteries ne peuvent être utilisées en conditions humides. Consultez la documentation du fabricant de votre batterie avant utilisation. N'utilisez pas des batteries Li-Po dans des conditions humides.
- La majorité des émetteurs ne résistent pas aux projections d'eau. Consultez le manuel ou le fabricant de votre émetteur avant utilisation.
- Ne jamais utiliser votre émetteur ou votre véhicule sous un orage.
- NE JAMAIS utiliser votre véhicule où il pourrait entrer en contact avec de l'eau salée (Eau de mer ou flaque d'eau sur une route salée), ou de l'eau polluée ou contaminée.
- Une petite quantité d'eau peut réduire la durée de vie du moteur s'il n'est pas certifié étanche ou résistant aux projections d'eau. Si le moteur devient excessivement humide, appliquez légèrement les gaz pour évacuer le maximum d'eau du moteur. Faire tourner à un régime élevé un moteur humide causerait son endommagement rapide.
- L'utilisation en conditions humides peut réduire la durée de vie du moteur. La résistance de l'eau cause des efforts plus importants. Adaptez le rapport de transmission en utilisant un pignon plus petit ou une couronne plus grande. Cela augmentera le couple (et la durée de vie du moteur) quand vous roulez dans la boue, dans les flaques profondes ou n'importe quelle autre condition humide, cela augmente la charge appliquée au moteur.

Maintenance en conditions humides

- Evacuez l'eau collectée par les pneus en les faisant tourner à haute vitesse. Retirez la carrosserie, retournez le véhicule et donnez des courts coups d'accélérateur plein gaz jusqu'à ce que l'eau soit évacuée.

⚠ ATTENTION : Toujours tenir éloignés des parties en rotation, les mains, les doigts, les outils ou autres objets pendants ou lâches.

- Retirez la batterie et séchez ses contacts. Si vous possédez un compresseur d'air ou une bombe d'air comprimé, chassez toute l'humidité qui se trouve dans la prise.
- Retirez les roues du véhicule et rincez-les à l'aide d'un arrosoir pour retirer la boue et la poussière. Evitez de rincer les roulements et la transmission.

REMARQUE : Ne jamais utiliser un nettoyeur haute pression pour nettoyer le véhicule.

- Utilisez un compresseur d'air ou une bombe d'air comprimée pour sécher le véhicule et vous aider à retirer l'eau logée dans les renforcements et les recoins.
- Pulvérisez sur les roulements, la transmission, les vis et autres pièces métalliques du WD-40® ou autre lubrifiant anti humidité. N'en vaporisez pas sur le moteur.
- Laissez le véhicule sécher avant de le stocker. L'eau (et l'huile) peuvent continuer à s'écouler durant quelques heures.
- Augmentez la fréquence d'inspection, de démontage et de lubrification des éléments suivants :
 - Les axes de roues et roulements des fusées avant et arrière.
 - Tous les boîtiers de transmissions, pignons et différentiels.
 - Le moteur—nettoyez-le à l'aide d'un aérosol de nettoyant moteur et lubrifiez les paliers à l'aide de lubrifiant pour roulements.

CARACTÉRISTIQUES

Emetteur

Bande	2.4GHz
Piles	AA x 4

Servo

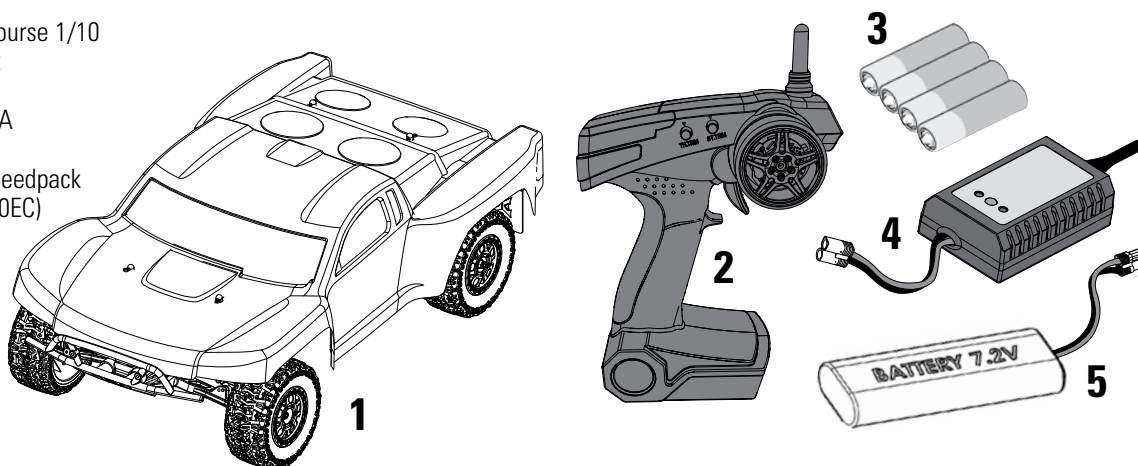
Alimentation	4,8V–6V (Partagée avec le récepteur)
Couple de sortie	3 kg-cm
Vitesse	0.23s sur 60° de course
Dimensions	40,5 x 20 x 36,8mm

Variateur de vitesse

Tension d'alimentation	7,2–8,4V
Intensité	Marche avant 80 A/240 A
Intensité	Marche arrière 60 A/160 A
Fréquence PWM	1 kHz
Alimentation BEC	5 V/1 A
Dimensions	27 x 35 x 17,3mm
Masse	34–36 g

ELÉMENTS

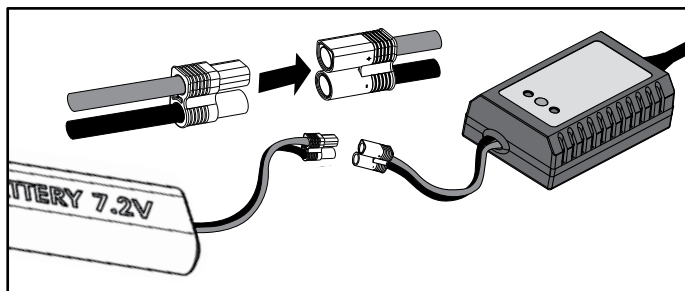
1. ECX Torment Short Course 1/10
2. Emetteur ECX 2.4GHz
3. Piles AA (4)
4. Chargeur DYN4113 2A à détection de peak
5. Batterie Dynamite Speedpack 7.2V Ni-Mh (DYN1050EC)



VEHICLE PREPARATIONS

CHARGE DE LA BATTERIE DU VÉHICULE

1. Reliez la prise de la batterie à celle du chargeur comme sur l'illustration.
2. Reliez le chargeur à une prise secteur.
3. Débranchez la batterie du chargeur dès que la charge est terminée.
4. Débranchez le chargeur de la prise secteur.



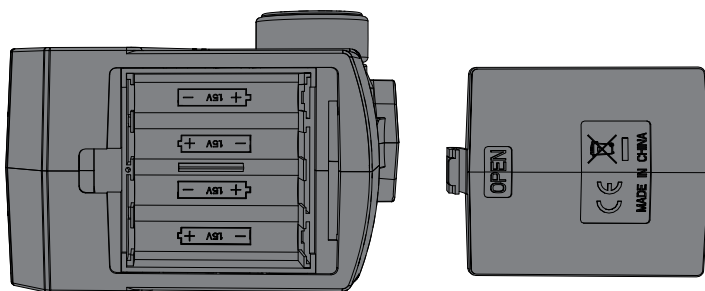
Le chargeur a une intensité de charge de 2A par heure (2000mAh). Divisez par 2000 la capacité de votre batterie (indiquée sur son étiquette) pour connaître le temps de charge requis. Par exemple, une batterie de 1800mAh nécessite 0.9H (54 minutes) pour être chargée.

Avertissements et précautions relatifs à la charge

Un défaut d'attention et un non respect des consignes quand vous utilisez ce produit peut entraîner un dysfonctionnement, un court-circuit, une sur-chauffe, un INCENDIE et dans un cas extrême des blessures et des dégâts matériels.

- Lisez avec attention ce manuel avant d'utiliser le produit.
- Ne laissez pas des mineurs charger seuls des batteries.
- Ne tentez jamais de charger des batteries endommagées.
- Ne chargez jamais une batterie dont les câbles sont coupés ou écourtés.
- Ne mettez jamais au contact de l'humidité le chargeur ou la batterie.
- Ne chargez jamais les batteries dans des lieux aux températures extrêmes (température idéale de 10 à 26°), ou en plein soleil.
- Ne chargez que des batteries NIMH avec le chargeur fourni. Ne tentez pas de charger des piles alcalines ou au mercure.
- Toujours respecter les polarités entre le chargeur et la batterie, le câble rouge + et la câble noir.
- Toujours débrancher la batterie et le chargeur quand la charge est terminée et laissez les refroidir entre deux charges.
- Toujours inspecter l'état de la batterie avant la charge.
- Toujours terminer les processus et contacter le service technique Horizon si le produit ne fonctionne pas correctement.
- Toujours vérifier que les caractéristiques de la batterie sont compatibles avec celles du chargeur.
- Ne JAMAIS brancher plusieurs batteries simultanément sur ce chargeur.
- Toujours surveiller la température de la batterie durant la charge.
- Toujours stopper la charge si la batterie atteint une température élevée ou change de forme.

INSTALLATION DES PILES DE L'ÉMETTEUR



⚠ ATTENTION : Si vous utilisez des batteries rechargeables ne rechargez que celles-ci. Si vous tentez de charger des piles (non-rechargeables), vous vous exposez à un risque d'explosion entraînant des blessures corporelles et des dégâts matériels.

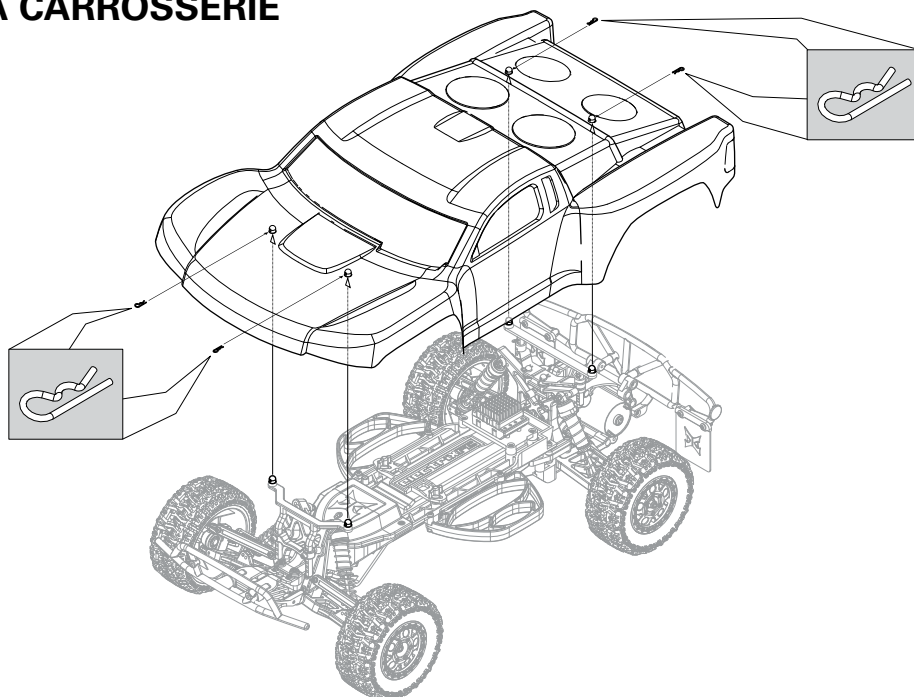
Installez 4 piles alcalines dans l'émetteur en suivant les instructions fournies pour votre système radio.

Nous vous recommandons d'utiliser uniquement des piles alcalines AA dans l'émetteur, cependant il est possible d'utiliser des batteries rechargeables Ni-MH.

Ne JAMAIS installer des piles ou batteries endommagées, des piles ou batteries de types différents et des piles ou batteries de dates de mise en service différentes. Retirez les piles usées.

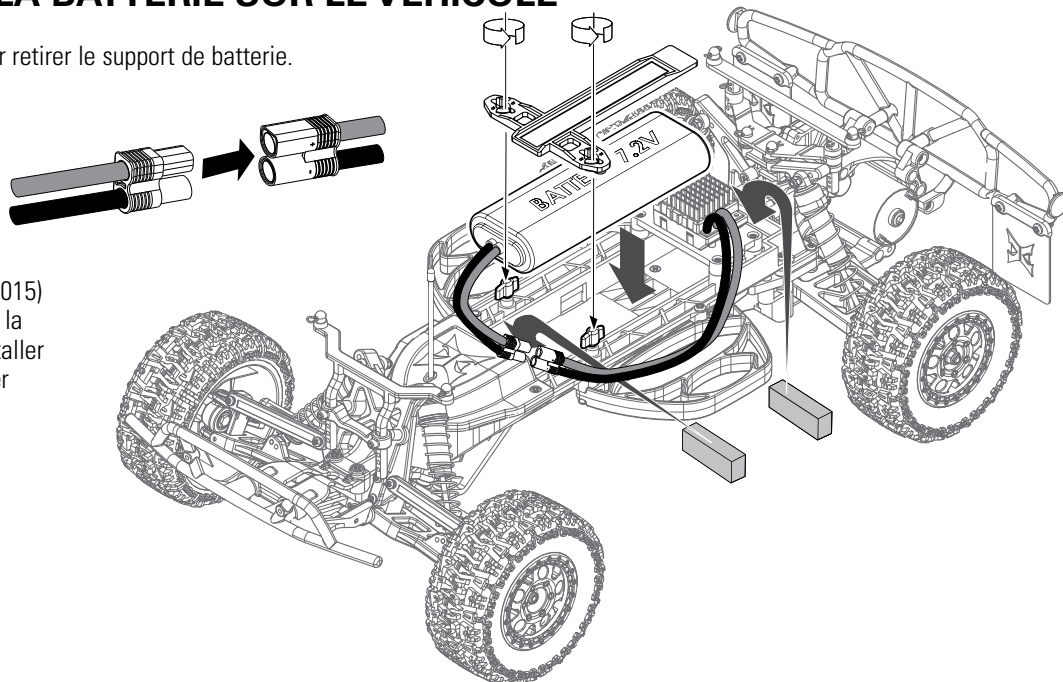
Ne JAMAIS les piles ou batteries dans l'émetteur quand vous le stockez.

DÉPOSE DE LA CARROSSERIE



INSTALLATION DE LA BATTERIE SUR LE VÉHICULE

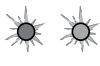
1. Tournez les attaches rapides pour retirer le support de batterie.
2. Installez la batterie.
3. Remplacez le support de batterie.
4. Tournez les attaches pour fixer le support.
5. Branchez la batterie.



Si vous le souhaitez, vous pouvez installer les blocs de mousse (ECX2015) devant la batterie afin d'augmenter la motricité du train arrière ou les installer derrière la batterie afin d'augmenter l'efficacité de la direction.

FONCTIONS DE L'ÉMETTEUR

Indication du niveau des piles

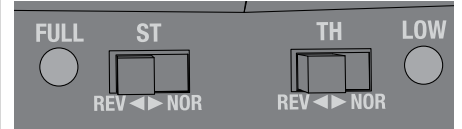


Rouge et verte allumées fixes : La tension des piles est correcte (Supérieure à 4V)



Rouge fixe seule : La tension des piles est faible (en dessous de 4V). Remplacez les piles de l'émetteur.

Interrupteurs d'inversion



Permet d'inverser le sens de la direction (ST.REV) et de la voie des gaz (TH.REV). Par défaut les deux interrupteurs sont en position "REV"

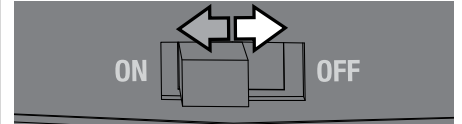
Course des gaz



Permet de régler la valeur maximale des gaz transmis au véhicule

Interrupteur d'alimentation

Permet de mettre l'émetteur en mode ON ou OFF

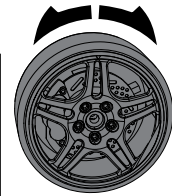


Débattement de la direction



Permet de régler l'angle de braquage maximum des roues avant quand vous tournez le volant à gauche ou à droite

Volant de direction



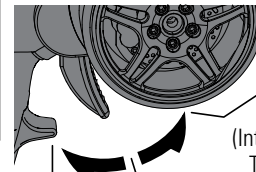
Contrôle la direction, Gauche et droite avec l'interrupteur ST.REV en position REV. (voir interrupteurs d'inversion)

Trim des gaz



Permet de régler le neutre du contrôleur électronique de vitesse

Gâchette des gaz



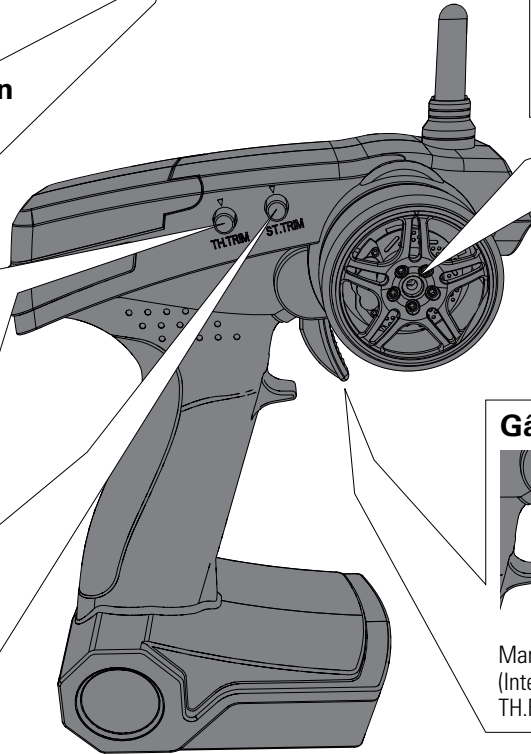
Marche avant (Interrupteur TH.REV en position REV)
Marche arrière (Interrupteur TH.REV en position REV)
Stop

Contrôle la puissance du moteur en marche avant et arrière (Voir TH.REV)

Trim de direction

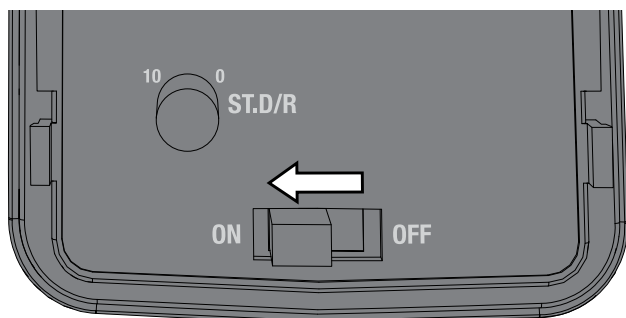


Permet de faire rouler droit le véhicule sans donner d'ordre au volant

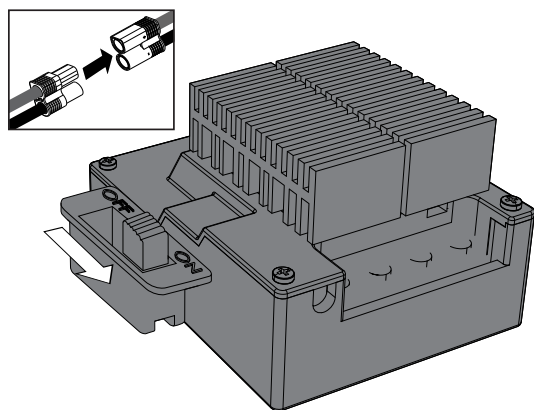


MISE EN FONCTIONNEMENT

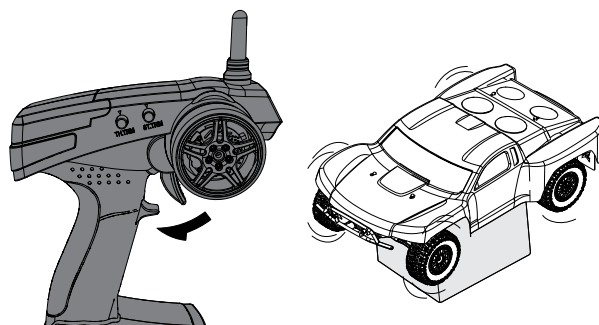
1. Mettez l'émetteur sous tension.



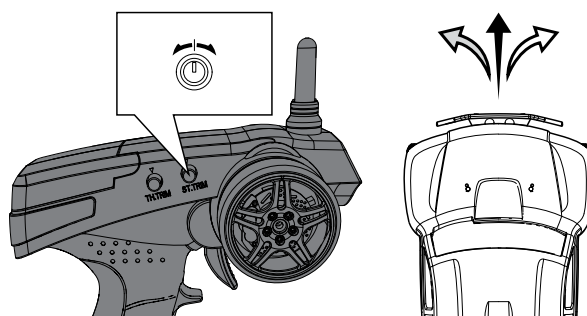
2. Mettez le contrôleur sous tension.



3. Effectuer un test des commandes de l'émetteur en soulevant du sol les roues du véhicule.

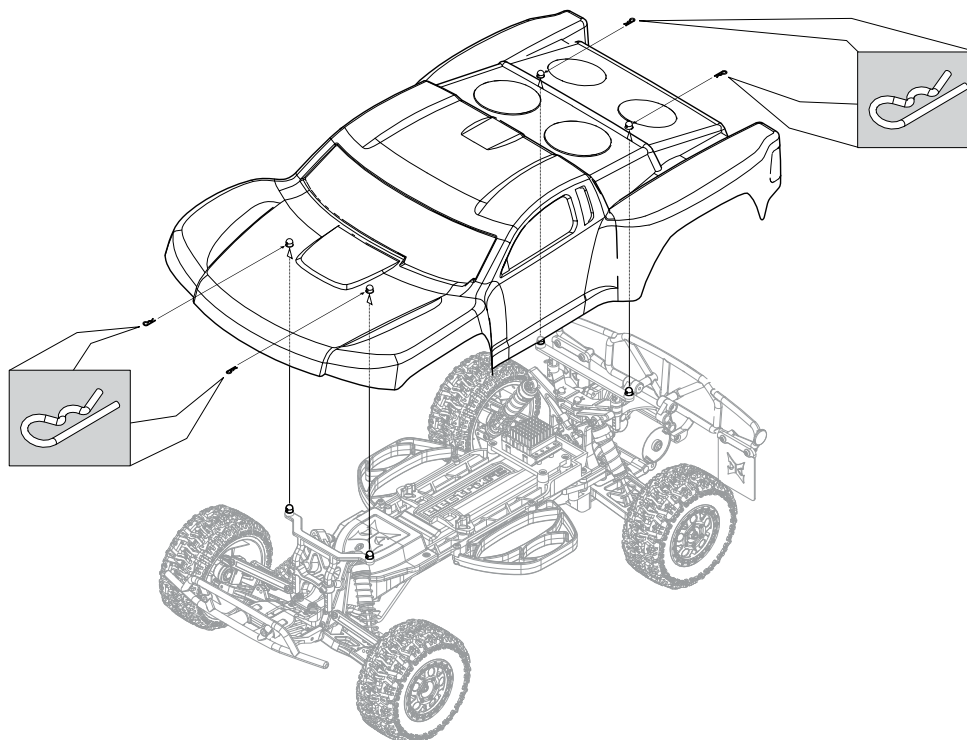


4. Commencez par rouler lentement et si le véhicule ne roule pas droit, réglez la direction à l'aide du potentiomètre du trim de direction.



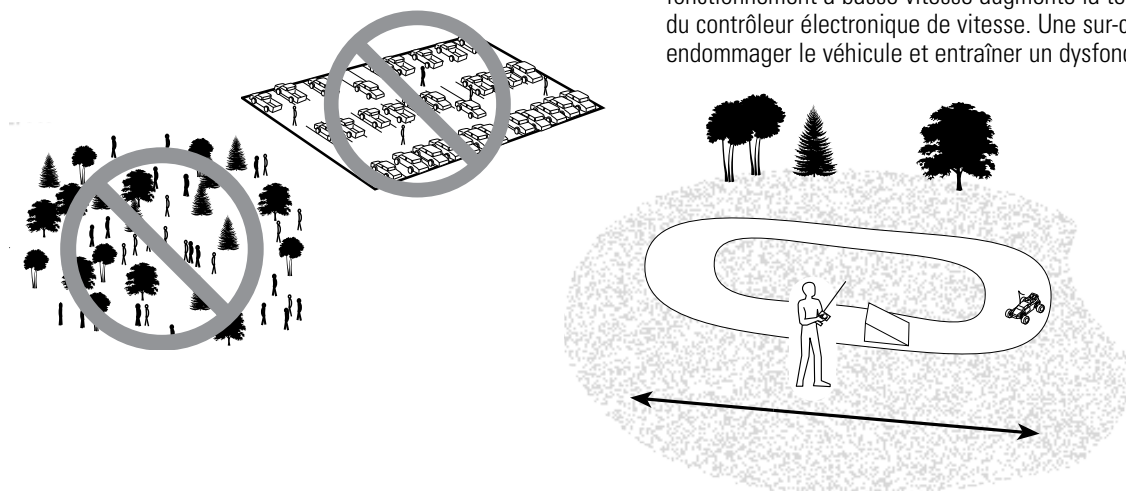
REMARQUE : Rodez les charbons du moteur en roulant doucement sur une surface plane. Un rodage correctement effectué augmentera les performances et la durée de vie du moteur.

POSE DE LA CARROSSERIE DU VÉHICULE



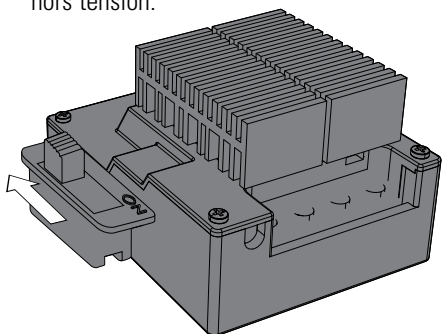
UTILISATION

- TOUJOURS mettre l'émetteur sous tension avant le récepteur du véhicule. TOUJOURS mettre le récepteur hors tension avant l'émetteur.
- TOUJOURS utiliser votre véhicule dans un endroit dégagé. Faire fonctionner le véhicule dans des petites zones ou en intérieur peut entraîner une sur-chauffe du véhicule. Un fonctionnement à basse vitesse augmente la température du contrôleur électronique de vitesse. Une sur-chauffe peut endommager le véhicule et entraîner un dysfonctionnement.

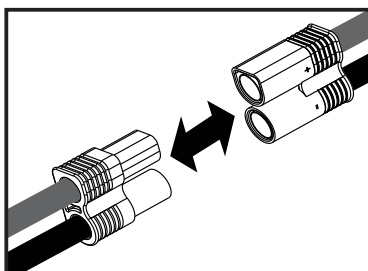


FIN D'UTILISATION

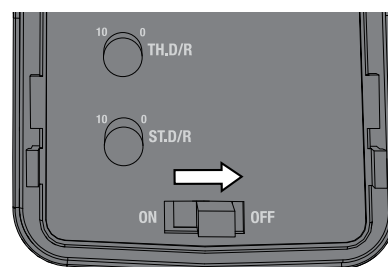
1. Mettre le contrôleur électronique de vitesse hors tension.



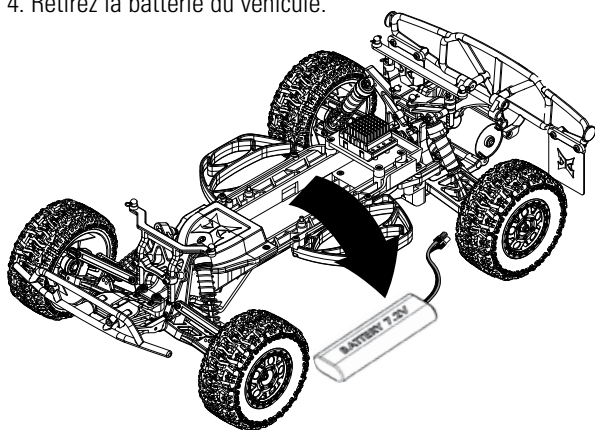
2. Déconnectez la batterie.



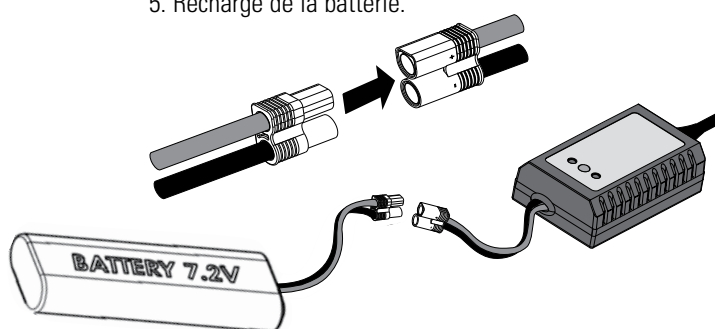
3. Mettez l'émetteur hors tension.



4. Retirez la batterie du véhicule.



5. Recharge de la batterie.



UTILISATION DU MOTEUR

- Effectuez un rodage des balais du moteur en roulant lentement sur une surface plane durant la première batterie.
- Prolongez la durée de vie de votre moteur en évitant de le faire surchauffer. Evitez de pousser des objets, d'effectuer de nombreux arrêts et démarrages à la suite, de rouler dans de l'herbe haute ou du sable fin et les pentes à très forte inclinaison.
- Le variateur est équipé d'une protection anti surchauffe pour protéger son circuit, cependant le moteur n'est pas protégé contre le blocage.

MAINTENANCE

RÉGLAGE DE L'ENTRE DENTS

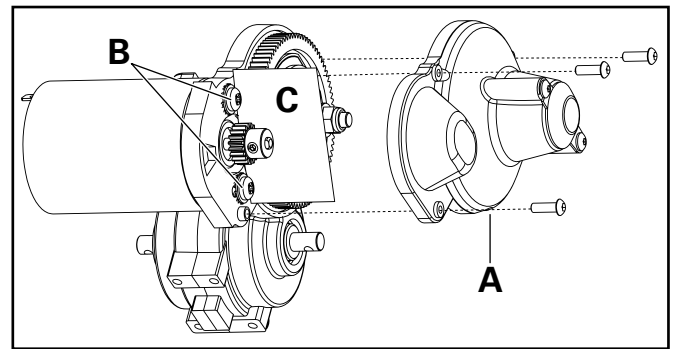
L'entre-dent est déjà réglé à l'usine. Ce réglage est seulement nécessaire quand vous changez le moteur, la couronne ou le pignon.

Vous devez retirer le capot de protection (A) pour effectuer ce réglage.

Un réglage correct de l'entre-dent (la zone de rencontre des dents des pignons) est important pour les performances du véhicule. Quand l'entre-dent est trop libre, la couronne peut être endommagée par le pignon du moteur. Si l'entre dent est trop serré, la vitesse risque d'être limitée de plus le moteur et le contrôleur vont sur-chauffer. Réglez l'entre-dent en suivant les instructions simples suivantes :

1. Desserrez les deux vis du moteur (B)
2. Glissez un morceau de feuille de papier (C) entre les dents du pignon et les dents de la couronne.
3. Poussez le pignon contre la couronne en serrant les vis de fixation du moteur.

4. Faites tourner l'engrenage pour retirer le morceau de papier. Il doit y avoir un léger jeu entre le pignon et la couronne.
5. Remplacez le capot de protection.

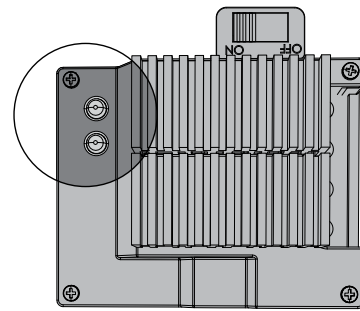


CONTRÔLEUR ÉLECTRONIQUE DE VITESSE

La coupure basse tension (LVC) protège la batterie contre les décharges trop importantes, cette protection s'active quand la tension sous charge par élément descend à 1V. Le contrôleur se ré-initialise après 10 secondes environ. Le véhicule peut maintenant revenir à vitesse réduite vers son pilote pour la recharge de la batterie.

Important : Quand le moteur est débranché ou endommagé le bip peut ne pas être émit.

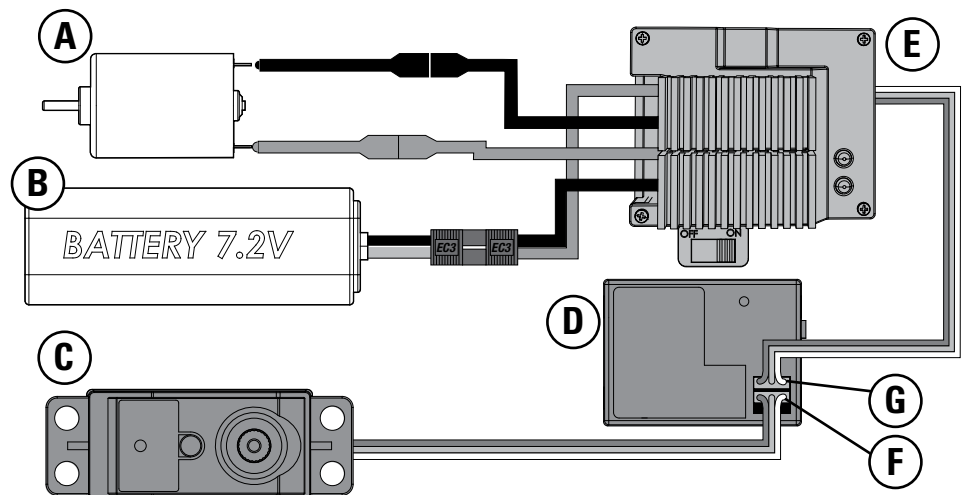
REMARQUE : Une conduite continue alors que le LVC est activé peut entraîner l'endommagement de la batterie.



DEL	Description du statut des DELs	Indication de la DEL
	Verte fixe	Marche avant plein gaz/Arrêt
	Rouge fixe	Marche arrière plein gaz
	Rouge et verte fixe	Frein
	Rouge clignotante deux fois accompagnée de bips	Indique que la batterie de véhicule est faible
	Rouge clignotante trois fois accompagnée de bips	Le moteur est sous contrainte ou la température du contrôleur est trop élevée

SCHÉMA ÉLECTRIQUE

Número	Description
A	ECX1071 Moteur
B	DYN1050 Batterie NiMH 7,2 V
C	ECX1069 Servo
D	SPMSR200 Récepteur
E	ECX1070 CEV
F	Voie 1
G	Voie 2

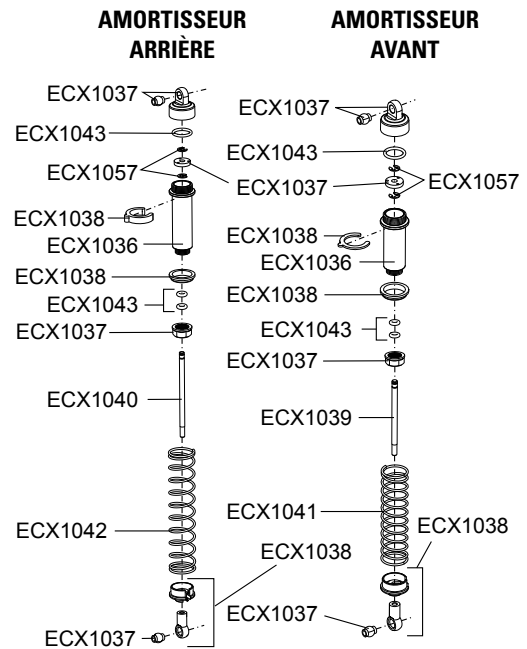


Pour un fonctionnement correct, les Voies 1 et 2 doivent être utilisées de la façon décrite par le schéma de câblage. Le moteur peut être déconnecté du CEV au niveau des connecteurs sur le schéma.

NETTOYAGE DE L'AMORTISSEUR

Les amortisseurs à huile nécessitent un entretien régulier en raison du vieillissement de l'huile ou de son encrassement. Cet entretien devrait être effectué après toutes les 3 à 5 heures de fonctionnement, cette durée variant en fonction des conditions dans lesquelles le véhicule a été utilisé.

- Enlevez l'amortisseur du véhicule.
- Enlevez l'obturbateur du corps de l'amortisseur et récupérez le fluide.
- Démontez l'amortisseur. Nettoyez-le soigneusement à l'aide de DYN5505. Donnez le temps aux pièces de sécher avant de les remonter.
- Remontez l'amortisseur et remplissez le corps de l'amortisseur d'huile silicone (viscosité recommandée : 30)
- Faites bouger lentement l'arbre et le piston en montée et en descente pour éliminer les bulles d'air.
- Mettez le piston au point milieu du corps et remontez l'obturbateur.
- Enlevez à l'aide d'un chiffon tout excédent d'huile.
- S'il est rempli correctement, le piston devrait rebondir de 3/8 de pouce (9,5 mm) après avoir été enfoncé à fond.
- Remonter l'amortisseur sur le véhicule.



Numéro	Description
ECX1036	Jeu de corps d'amortisseur
ECX1037	Obturbateurs d'amortisseur, pistons
ECX1038	Jeu de pièces d'amortisseur
ECX1039	Arbre d'amortisseur avant (2)
ECX1040	Arbre d'amortisseur arrière (2)
ECX1041	Ressorts d'amortisseur avant (2)
ECX1042	Ressorts d'amortisseur arrière (2)
ECX1043	Jeu de joints toriques d'amortisseur

Réglage de la garde au sol

La garde au sol joue sur le comportement du modèle lors des sauts et des virages. Quand vous rabaissez votre modèle vérifiez que les triangles de suspensions avant sont parallèles par rapport au sol, faites de même avec les suspensions arrière.

Le rabaissement du train avant augmente la l'efficacité de la direction. Le rabaissement du train arrière augmente la motricité mais réduit l'efficacité de la direction.

VISSERIE

Numéro	Description	Numéro	Description	Numéro	Description	Numéro	Description
	Vis auto-taraudeuse tête M3x10 mm		Vis M3x8 mm		Vis hexagonale à tête bouton M2,5x4 mm		Vis de réglage M3x13 mm
	Vis auto-taraudeuse tête M3x12 mm		Vis M3x12 mm		Vis de réglage M3x3 mm		Rondelle 5x7x0,5 mm
	Vis auto-taraudeuse tête M3x16 mm		Vis M3x20 mm		Vis de réglage M3x12 mm		Rondelle 3x8x0,5 mm
	Vis auto-taraudeuse tête M3x18 mm		Vis M3x25 mm		Vis bridée M3x0,5x13,4 mm		Rondelle 2x7x0,5 mm
	Vis tête plate M3x10 mm		Vis à tête bouton M3x30 mm		Vis bridée M3x0,5x10,5 mm		Ecrin de verrouillage à rebord M4
	Vis tête plate M3x12 mm		Vis à tête bouton M2x6 mm		Vis hexagonale à tête bouton M2,5x8 mm		Ecrin de verrouillage M3
	Vis auto-taraudeuse tête M3x15 mm		Vis auto-taraudeuse à tête bouton M3x10 mm		Vis bridée M3x0,5x7,4 mm		E-CLIP E2,5
	Vis tête plate M3x16 mm						Lock washer

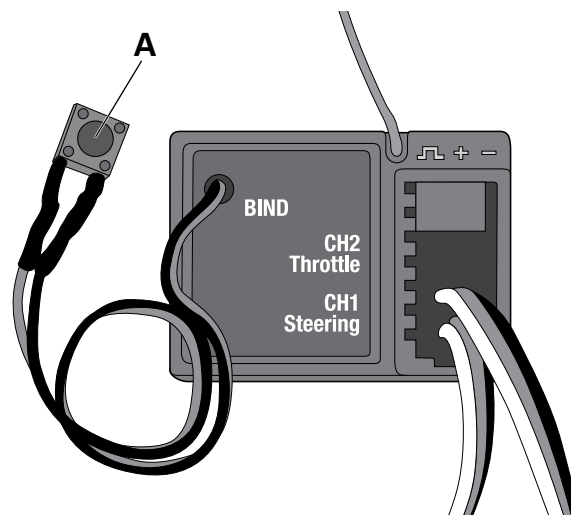
AFFECTATION

Failsafe

Si par malheur la liaison radio est perdue durant l'utilisation, le récepteur va placer les servos dans les positions de failsafe programmées (Généralement gaz et direction au neutre). Si le récepteur est mis sous tension avant l'émetteur, les servos seront placés en position de failsafe. Quand l'émetteur est mis sous tension, les commandes reprennent un fonctionnement normal. Les positions de failsafe des servos sont enregistrées durant l'affectation.

L'affectation apprend au récepteur le code GUID spécifique à l'émetteur. L'émetteur et le récepteur inclus sont déjà affectés ensemble à l'usine. Si vous devez refaire l'affectation, suivez les instructions ci-dessous.

1. Mettez le récepteur et l'émetteur hors tension.
2. Branchez une batterie entièrement chargée au contrôleur.
3. Mettez le contrôleur sous tension.
4. Retirez le capot avant. Pressez le bouton d'affectation (A) du récepteur. La DEL rouge du récepteur va se mettre à clignoter rapidement.
5. Mettez l'émetteur sous tension.
6. La DEL rouge du récepteur va s'allumer fixement une fois que le système est affecté. Remplacez le capot avant.



Vous devez ré-affecter le système quand :

Vous souhaitez modifier les positions de failsafe quand par exemple vous avez modifié le sens de la voie de direction ou des gaz. Vous souhaitez affecter un émetteur différent au récepteur.

GUIDE DE DÉPANNAGE

Problème	Cause possible	Soluzione
Autonomie réduite	<ul style="list-style-type: none"> • Batterie déchargée ou endommagée • Balais du moteur endommagés ou sales 	<ul style="list-style-type: none"> • Contrôlez/remplacez la batterie • Contrôlez/nettoyez/remplacez
Faibles performances	<ul style="list-style-type: none"> • Balais du moteur endommagés ou sales • Transmission encrassée • La batterie du véhicule déchargée 	<ul style="list-style-type: none"> • Contrôlez/nettoyez/remplacez • Nettoyez/réglez • Remplacez/rechargez
Commandes inversées	<ul style="list-style-type: none"> • ST.REV ou TH.REV 	<ul style="list-style-type: none"> • Changer la position des interrupteurs
Surchauffe moteur/variateur	<ul style="list-style-type: none"> • Rapport de transmission trop long 	<ul style="list-style-type: none"> • Installé un pignon plus petit
Ne fonctionne pas	<ul style="list-style-type: none"> • Piles de l'émetteur déchargées • Emetteur hors tension • Variateur hors tension • La batterie du véhicule déchargée 	<ul style="list-style-type: none"> • Remplacez/rechargez • Mettez l'émetteur sous tension • Mettez l'émetteur sous tension • Remplacez/rechargez
Portée réduite	<ul style="list-style-type: none"> • Piles de l'émetteur déchargées • L'antenne de l'émetteur est dévissée ou endommagée • L'antenne du récepteur est endommagée 	<ul style="list-style-type: none"> • Remplacez/rechargez • Contrôlez/resserrez • Contrôlez/réparez/remplacez
Le système ne se connecte pas	<ul style="list-style-type: none"> • L'émetteur et le récepteur sont trop proches • L'émetteur et le récepteur sont trop proches d'e matériaux conducteurs • Emetteur mis accidentellement en mode affectation 	<ul style="list-style-type: none"> • Eloignez l'émetteur d'une distance de 2m environ • Eloignez vous de ces matériaux • Ré-effectuez une affectation
Le récepteur passe en mode failsafe à une courte distance	<ul style="list-style-type: none"> • Contrôlez l'état de l'antenne du récepteur 	<ul style="list-style-type: none"> • Contactez le service technique Horizon Hobby • Vérifiez que l'antenne est bien dans un tube qui dépasse de la carrosserie
Le récepteur a des pertes de signal durant l'utilisation	<ul style="list-style-type: none"> • Tension de batterie faible • Câble de batterie de réception endommagé ou débranché 	<ul style="list-style-type: none"> • Chargez totalement la batterie • Effectuez une vérification de liaisons entre la batterie et le récepteur
Le récepteur perd son affectation	<ul style="list-style-type: none"> • Emetteur mis accidentellement en mode affectation 	<ul style="list-style-type: none"> • Ré-effectuez une affectation

GARANTIE ET RÉPARATIONS

Durée de la garantie

Garantie exclusive - Horizon Hobby, Inc. (Horizon) garantit que le Produit acheté (le « Produit ») sera exempt de défauts matériels et de fabrication à sa date d'achat par l'Acheteur. La durée de garantie correspond aux dispositions légales du pays dans lequel le produit a été acquis. La durée de garantie est de 6 mois et la durée d'obligation de garantie de 18 mois à l'expiration de la période de garantie.

Limitations de la garantie

- (a) La garantie est donnée à l'acheteur initial (« Acheteur ») et n'est pas transférable. Le recours de l'acheteur consiste en la réparation ou en l'échange dans le cadre de cette garantie. La garantie s'applique uniquement aux produits achetés chez un revendeur Horizon agréé. Les ventes faites à des tiers ne sont pas couvertes par cette garantie. Les revendications en garantie seront acceptées sur fourniture d'une preuve d'achat valide uniquement. Horizon se réserve le droit de modifier les dispositions de la présente garantie sans avis préalable et révoque alors les dispositions de garantie existantes.
- (b) Horizon n'endosse aucune garantie quant à la vendabilité du produit ou aux capacités et à la forme physique de l'utilisateur pour une utilisation donnée du produit. Il est de la seule responsabilité de l'acheteur de vérifier si le produit correspond à ses capacités et à l'utilisation prévue.
- (c) Recours de l'acheteur – Il est de la seule discrétion d'Horizon de déterminer si un produit présentant un cas de garantie sera réparé ou échangé. Ce sont là les recours exclusifs de l'acheteur lorsqu'un défaut est constaté.

Horizon se réserve la possibilité de vérifier tous les éléments utilisés et susceptibles d'être intégrés dans le cas de garantie. La décision de réparer ou de remplacer le produit est du seul ressort d'Horizon. La garantie exclut les défauts esthétiques ou les défauts provoqués par des cas de force majeure, une manipulation incorrecte du produit, une utilisation incorrecte ou commerciale de ce dernier ou encore des modifications de quelque nature qu'elles soient.

La garantie ne couvre pas les dégâts résultant d'un montage ou d'une manipulation erronés, d'accidents ou encore du fonctionnement ainsi que des tentatives d'entretien ou de réparation non effectuées par Horizon. Les retours effectués par le fait de l'acheteur directement à Horizon ou à l'une de ses représentations nationales requièrent une confirmation écrite.

Limitation des dégâts

Horizon ne saurait être tenu pour responsable de dommages conséquents directs ou indirects, de pertes de revenus ou de pertes commerciales, liés de quelque manière que ce soit au produit et ce, indépendamment du fait qu'un recours puisse être formulé en relation avec un contrat, la garantie ou l'obligation de garantie. Par ailleurs, Horizon n'acceptera pas de recours issus d'un cas de garantie lorsque ces recours dépassent la valeur unitaire du produit. Horizon n'exerce aucune influence sur le montage, l'utilisation ou la maintenance du produit ou sur d'éventuelles combinaisons de produits choisies par l'acheteur. Horizon ne prend en compte aucune garantie et n'accepte aucun recours pour les blessures ou les dommages pouvant en résulter. En utilisant et en montant le produit, l'acheteur accepte sans restriction ni réserve toutes les dispositions relatives à la garantie figurant dans le présent document.

Si vous n'êtes pas prêt, en tant qu'acheteur, à accepter ces dispositions en relation avec l'utilisation du produit, nous vous demandons de restituer au vendeur le produit complet, non utilisé et dans son emballage d'origine.

Indications relatives à la sécurité

Ceci est un produit de loisirs perfectionné et non un jouet. Il doit être utilisé avec précaution et bon sens et nécessite quelques aptitudes mécaniques ainsi que mentales. L'incapacité à utiliser le produit de manière sûre et raisonnable peut provoquer des blessures et des dégâts matériels conséquents. Ce produit n'est pas destiné à être utilisé par des enfants sans la surveillance par un tuteur. La notice d'utilisation contient des indications relatives à la sécurité ainsi que des indications concernant la maintenance et le fonctionnement du produit. Il est absolument indispensable de lire et de comprendre ces indications avant la première mise en service. C'est uniquement ainsi qu'il sera possible d'éviter une manipulation erronée et des accidents entraînant des blessures et des dégâts.

Questions, assistance et réparations

Votre revendeur spécialisé local et le point de vente ne peuvent effectuer une estimation d'éligibilité à l'application de la garantie sans avoir consulté Horizon. Cela vaut également pour les réparations sous garantie. Vous voudrez bien, dans un tel cas, contacter le revendeur qui conviendra avec Horizon d'une décision appropriée, destinée à vous aider le plus rapidement possible.

Maintenance et réparation

Si votre produit doit faire l'objet d'une maintenance ou d'une réparation, adressez-vous soit à votre revendeur spécialisé, soit directement à Horizon. Emballez le produit soigneusement. Veuillez noter que le carton d'emballage d'origine ne suffit pas, en règle générale, à protéger le produit des dégâts pouvant survenir pendant le transport. Faites appel à un service de messagerie proposant une fonction de suivi et une assurance, puisque Horizon ne prend aucune responsabilité pour l'expédition du produit jusqu'à sa réception acceptée. Veuillez joindre une preuve d'achat, une description détaillée des défauts ainsi qu'une liste de tous les éléments distincts envoyés. Nous avons de plus besoin d'une adresse complète, d'un numéro de téléphone (pour demander des renseignements) et d'une adresse de courriel.

Garantie et réparations

Les demandes en garantie seront uniquement traitées en présence d'une preuve d'achat originale émanant d'un revendeur spécialisé agréé, sur laquelle figurent le nom de l'acheteur ainsi que la date d'achat. Si le cas de garantie est confirmé, le produit sera réparé. Cette décision relève uniquement de Horizon Hobby.

Réparations payantes

En cas de réparation payante, nous établissons un devis que nous transmettons à votre revendeur. La réparation sera seulement effectuée après que nous ayons reçu la confirmation du revendeur. Le prix de la réparation devra être acquitté au revendeur. Pour les réparations payantes, nous facturons au minimum 30 minutes de travail en atelier ainsi que les frais de réexpédition. En l'absence d'un accord pour la réparation dans un délai de 90 jours, nous nous réservons la possibilité de détruire le produit ou de l'utiliser autrement.



ATTENTION : Nous n'effectuons de réparations payantes que pour les composants électroniques et les moteurs. Les réparations touchant à la mécanique, en particulier celles des hélicoptères et des voitures radiocommandées, sont extrêmement coûteuses et doivent par conséquent être effectuées par l'acheteur lui-même.

Coordonnées de Garantie et réparations

Land des Kauf	Horizon Hobby	Adresse	Telefon / E-mail Adresse
France	Horizon Hobby SAS	14 Rue Gustave Eiffel Zone d'Activité du Réveil Matin 91230 Montgeron	+33 (0) 1 60 47 44 70 infofrance@horizonhobby.com

INFORMATIONS DE CONFORMITÉ POUR L'UNION EUROPÉENNE

CE Déclaration de conformité (conformément à la norme ISO/IEC 17050-1)

No. HH2012071401

Produit(s) : ECX 1/10th Scale Torment
Short Course Truck V2.0

Numéro(s) d'article : ECX4000S, ECX4100S

Catégorie d'équipement : 1

L'objet de la déclaration décrit ci-dessus est en conformité avec les exigences des spécifications énumérées ci-après, suivant les conditions de la directive ETRT 1999/5/CE, directive CEM 2004/108/EC et LVD 2006/95/EC :

EN 300-328 V1.7.1

EN 301 489-1 V1.7.1: 2006

EN 301 489-17 V1.3.2: 2008

EN 60950-1:2006+A12: 2011

EN55022: 2010

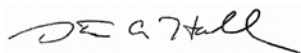
EN55024: 2010

EN61000-3-2:2006+A1:2009+A2:2009

EN61000-3-3:2008

Signé en nom et pour le compte de:

Horizon Hobby, Inc.
Champaign, IL USA
14 juillet 2012



Steven A. Hall
Vice-Président, Directeur Général
Gestion Internationale des Activités et des Risques
Horizon Hobby, Inc.



Elimination dans L'union Européene

Ce produit ne doit pas être éliminé avec les ordures ménagères. Il est de la responsabilité de l'utilisateur de remettre le produit à un point de collecte officiel des déchets d'équipements électriques. Cette procédure permet de garantir le respect de l'environnement et l'absence de sollicitation excessive des ressources naturelles. Elle protège de plus le bien-être de la communauté humaine. Pour plus d'informations quant aux lieux d'éliminations des déchets d'équipements électriques, vous pouvez contacter votre mairie ou le service local de traitement des ordures ménagères.

AVVISO

Tutte le istruzioni, le garanzie e gli altri documenti pertinenti sono soggetti a cambiamenti a totale discrezione di Horizon Hobby, Inc. Per una documentazione aggiornata sul prodotto, visitare il sito horizonhobby.com e fare clic sulla sezione Support del prodotto.

SIGNIFICATO DEI TERMINI USATI:

Nella documentazione relativa al prodotto vengono utilizzati i seguenti termini per indicare i vari livelli di pericolo potenziale durante l'uso del prodotto:

AVVISO: indica procedure che, se non debitamente seguite, possono determinare il rischio di danni alle cose E il rischio minimo o nullo di lesioni alle persone.

ATTENZIONE: indica procedure che, se non debitamente seguite, determinano il rischio di danni alle cose E di gravi lesioni alle persone.

AVVERTENZA: indica procedure che, se non debitamente seguite, determinano il rischio di danni alle cose, danni collaterali e gravi lesioni alle persone O il rischio elevato di lesioni superficiali alle persone.



AVVERTENZA: leggere TUTTO il manuale di istruzioni e familiarizzare con le caratteristiche del prodotto prima di farlo funzionare. Un uso improprio del prodotto può causare danni al prodotto stesso e alle altre cose e gravi lesioni alle persone.

Questo aeromodello è un prodotto sofisticato per appassionati di modellismo. Deve essere azionato in maniera attenta e responsabile e richiede alcune conoscenze basilari di meccanica. L'uso improprio o irresponsabile di questo prodotto può causare lesioni alle persone e danni al prodotto stesso o alle altre cose. Questo prodotto non deve essere utilizzato dai bambini senza la diretta supervisione di un adulto. Non tentare di smontare, utilizzare componenti incompatibili o modificare il prodotto in nessun caso senza previa approvazione di Horizon Hobby, Inc. Questo manuale contiene le istruzioni per la sicurezza, l'uso e la manutenzione del prodotto. È fondamentale leggere e seguire tutte le istruzioni e le avvertenze del manuale prima di montare, impostare o utilizzare il prodotto, al fine di utilizzarlo correttamente e di evitare di causare danni alle cose o gravi lesioni alle persone.

Almeno 14 anni. Non è un giocattolo.

Precauzioni per la Sicurezza e Avvertimenti

In quanto utilizzatore di questo prodotto, voi siete gli unici responsabili per una condotta che non costituisca pericolo per voi e gli altri, e che possa causare danni al modello o ad altre proprietà.

Questo modello è controllato da un segnale radio potenzialmente soggetto a interferenze da molte fonti che non potete controllare. Queste interferenze possono generare momentanee perdite di controllo del modello, quindi è consigliabile mantenere sempre una certa distanza di sicurezza in ogni direzione, poichè questo può aiutare ad evitare urti o infortuni.

- Non utilizzare mai il modello con batterie scariche.
- Utilizzate sempre il modello in zone ampie, sgombre da persone, macchine e traffico.
- Non utilizzate mai il modello in strade aperte al traffico o in luoghi affollati.
- Seguite attentamente le avvertenze d'uso di questo modello e di ogni altro accessorio (caricabatterie, batterie ricaricabili ecc.).
- Tenete qualsiasi prodotto chimico o elettrico al di fuori della portata dei bambini.

- L'umidità può danneggiare i componenti elettronici. Per questo evitate di bagnare con acqua qualsiasi componente che non sia protetto in modo specifico.
- Non leccate o ingerite alcun pezzo del modello perchè questo può causare infortuni seri, o addirittura la morte.
- Utilizzate sempre con attenzione attrezzi e oggetti affilati.
- Prestare attenzione durante la costruzione perchè alcune parti potrebbero avere degli spigoli vivi
- Subito dopo l'uso NON toccate componenti del modello quali motore, variatore elettronico o la batteria, perchè si scaldano molto durante il funzionamento. Toccandoli potreste scottarvi.
- Non infilate le dita tra gli ingranaggi del modello o altre parti in rotazione o movimento, poichè questo può causare danni o infortuni gravi.
- Accendete sempre prima la trasmittente e poi la ricevente sul modello. Invece spegnete sempre prima la ricevente e poi la trasmittente.
- Sollevate le ruote del modello da terra quando controllate il corretto funzionamento dell'apparato radio.

INDICE

Precauzioni per la Sicurezza e Avvertimenti.....	38
Veicolo resistente all'acqua con elettronica impermeabile ..	39
Caratteristiche	40
Componenti.....	40
Preparazione del Veicolo.....	40
Caricare la Batteria del Veicolo	40
Installare le Batterie del Trasmettitore.....	41
Togliere la Carrozzeria del Veicolo.....	41
Installare la Batteria sul Veicolo.....	41
Controlli del Trasmettitore	42
Come Iniziare.....	43
Utilizzo	44
Al Termine dell'Utilizzo	44

Cura del Motore	44
Mantenimento	45
Regolazione Degli Ingranaggi.....	45
Regolatore elettronico di velocità (ESC).....	45
Schema Elettrico	45
Pulizia degli Ammortizzatori.....	46
Viti, Dadi e Rondelle	46
Connessione (Binding).....	47
Guida Alla Risoluzione dei Problemi.....	47
Durata della Garanzia.....	48
Informazioni sulla Conformità per l'Unione Europea	49
Esploso del Modello con Referenza Pezzi.....	50

VEICOLO RESISTENTE ALL'ACQUA CON ELETTRONICA IMPERMEABILE

Il vostro nuovo veicolo Horizon Hobby è stato progettato e costruito con una combinazione di componenti impermeabili e resistenti all'acqua, per consentirvi di utilizzare il prodotto in molte situazioni "umide", incluse pozze, ruscelli, erba bagnata, neve e anche pioggia.

Sebbene tutto il veicolo sia altamente resistente all'acqua, tuttavia non è completamente impermeabile e NON si può trattare come fosse un sottomarino. I vari componenti elettronici usati sul veicolo, come il regolatore elettronico di velocità (ESC), i servi e il ricevitore, sono impermeabili, però molti dei componenti meccanici sono solo resistenti all'acqua e non si possono immergere.

Le parti metalliche, inclusi i cuscinetti, le cerniere, viti e dadi, come pure i contatti sui cavi elettrici, sono suscettibili di corrosione se non si fa una particolare manutenzione dopo l'uso sul bagnato. Per prolungare al massimo le prestazioni nel tempo e tenere valida la garanzia, le procedure descritte nella sezione "Manutenzione in condizioni umide", si devono applicare regolarmente se si sceglie di correre sul bagnato. Se non siete disposti ad eseguire questa manutenzione aggiuntiva, allora dovete evitare di utilizzare il veicolo in queste condizioni.

⚠ ATTENZIONE : La mancata applicazione di queste cautele mentre si usa questo prodotto e il rispetto delle seguenti precauzioni, potrebbe portare ad un malfunzionamento del prodotto e/o ad invalidare la garanzia.

Precauzioni generali

- Leggete attentamente le procedure di manutenzione del vostro veicolo in condizioni umide, per essere sicuri di avere tutte le attrezzature necessarie per questo scopo.
- Non tutte le batterie si possono usare in condizioni di umidità. Consultate il costruttore delle batterie prima di utilizzarle. Non usate le batterie LiPo in queste condizioni.
- Molti trasmettitori non sono resistenti all'acqua. Consultate i relativi manuali o il costruttore prima dell'utilizzo.
- Non utilizzate mai il vostro trasmettitore o il veicolo quando ci sono lampi.
- Non utilizzate il vostro veicolo quando c'è il rischio che entri in contatto con acqua salata (acqua marina o acqua proveniente da una strada su cui sia stato sparso del sale), acqua contaminata o inquinata. L'acqua salata è molto conduttiva e altamente corrosiva, perciò bisogna usare molta cautela.
- Anche il minimo contatto con l'acqua potrebbe ridurre la vita del vostro motore se non è stato certificato come impermeabile o resistente all'acqua. Se dovesse essere troppo umido, accelerate poco finché l'acqua non viene rimossa dal motore. Far girare forte un motore bagnato potrebbe danneggiarlo rapidamente.
- Guidare sul bagnato può ridurre la vita del motore. La resistenza aggiuntiva in queste condizioni causa uno sforzo eccessivo. Modificate il rapporto di riduzione diminuendo il pignone o aumentando la corona. Questo aumenta la coppia (e la vita del motore) quando si utilizza il veicolo nel fango, in pozzanghere profonde o qualsiasi altra situazione in cui l'umidità possa aumentare il carico del motore per lungo tempo.

Manutenzione in condizioni umide

- Scaricare l'eventuale acqua raccolta dagli pneumatici che girano ad alta velocità. Bisogna togliere la carrozzeria, mettere il veicolo a testa in giù e dare alcune accelerate brevi finché l'acqua non viene completamente rimossa.

⚠ ATTENZIONE: Tenere sempre mani, dita, attrezzi ed oggetti leggeri o sospesi lontano dalle parti rotanti mentre si pratica la precedente procedura di asciugatura.

- Togliere la batteria ed asciugarne i contatti. Se avete un compressore o una bombola di aria compressa, soffiare via l'eventuale acqua rimasta all'interno del connettore.
- Smontate le ruote/gomme dal veicolo e risciacquatele con attenzione per togliere il fango e la polvere usando un getto di acqua. Evitate di risciacquare i cuscinetti e la trasmissione.

AVVISO: In questi casi non usate acqua sotto pressione per pulire il vostro veicolo.

- Usate un compressore o una bombola di aria compressa per asciugare il veicolo e togliere i residui di acqua eventualmente rimasti nelle piccole fessure e negli angoli.
- Spruzzate i cuscinetti, la trasmissione, gli elementi di fissaggio e le altre parti metalliche con solvente WD-40® o qualsiasi altro olio leggero idrorepellente. Non spruzzate il motore.
- Lasciate che il veicolo si asciughi all'aria prima di riporlo. L'acqua (e l'olio) continuerà a sgocciolare per alcune ore.
- Smontate il veicolo più di frequente, ispezionando e lubrificando le parti seguenti:
 - Les axes de roues et roulements des fusées avant et arrière.
 - Tous les boîtiers de transmissions, pignons et différentiels.
 - Le moteur—nettoyez-le à l'aide d'un aérosol de nettoyant moteur et lubrifiez les paliers à l'aide de lubrifiant pour roulements.

CARATTERISTICHE

Trasmettitore

Frequenza	2.4GHz
Batteria	4 pile tipo AA

Servo

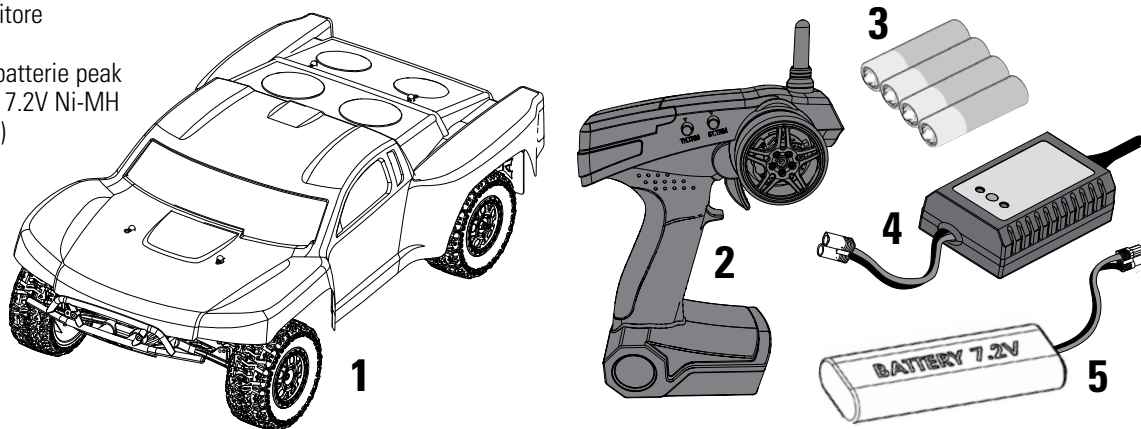
Alimentazione	4,8V - 6V (condivisa con il ricevitore)
Coppia	3 kg.cm
Velocità	0,23 sec/60°
Dimensioni	40,5 x 20 x 36,8mm

Regolatore elettronico (ESC)

Tensione ingresso	7,2-8,4V
Corrente max	80 A/240 A (marcia avanti)
Corrente max	60 A/160 A (marcia indietro)
Frequenza PWM	1 kHz
Tensione BEC	5 V/1 A
Dimensioni	27 x 35 x 17,3mm
Peso	34-36 g

COMPONENTI

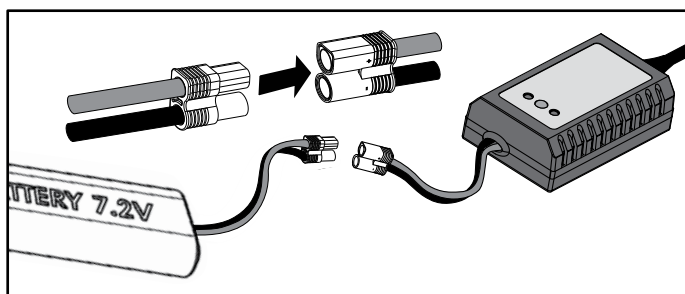
1. ECX Torment 1/10-scale Monster Truck
2. ECX 2.4GHz Trasmettitore
3. AA (4) Batterie
4. DYN4113 2A Carica batterie peak
5. Dynamite Speedpack 7.2V Ni-MH batteria (DYN1050EC)



PREPARAZIONE DEL VEICOLO

CARICARE LA BATTERIA DEL VEICOLO

1. Collegare il connettore della batteria al caricabatterie come illustrato.
2. Collegare il caricabatterie alla rete 220 V.
3. Scollegare la batteria appena è carica.
4. Scollegare il caricabatterie dalla rete.



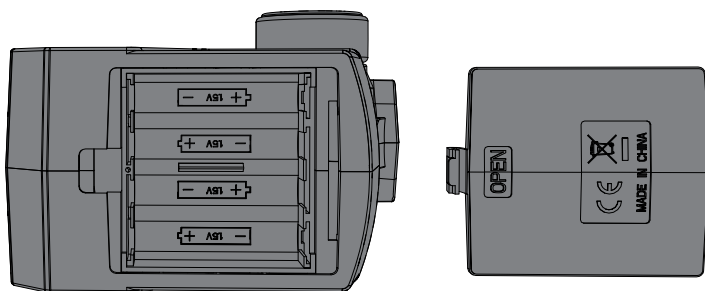
Il caricabatterie produce una corrente di 2 Ah (2000 mAh).
Dividere la capacità della batteria per 2000 per conoscere quanto tempo occorre per caricarla. Per esempio, se la batteria è da 1800 mAh richiederà 0,9 ore e cioè 54 minuti per caricarsi.

Avvertimenti e precauzioni per la carica

Quando si usa questo prodotto, se non si osservano le seguenti raccomandazioni, ci potrebbero essere problemi nel suo funzionamento, che portano a surriscaldamento con possibile incendio e conseguenti danni e lesioni.

- Prima di usare questo prodotto occorre leggere tutte le istruzioni e le norme di sicurezza.
- Non permettere ai minori di caricare le batterie.
- Non tentare di ricaricare batterie esaurite o danneggiate.
- Non caricare batterie il cui cavo sia spelato o danneggiato.
- Non permettere mai alle batterie o al caricabatterie di entrare in contatto con l'umidità.
- Non caricare le batterie in luoghi estremamente caldi o freddi (temperatura consigliata tra 10 e 26 gradi C) o alla luce del sole diretta.
- Usare sempre batterie ricaricabili NiMH. Questo caricabatterie non può caricare batterie particolari, alcaline o al mercurio.
- Si abbia cura di far sempre corrispondere il rosso (+) e il nero (-) della batteria con quelli del caricabatterie.
- Al termine della carica scollegare sempre la batteria dal caricabatterie lasciandolo raffreddare tra una carica e l'altra.
- Esaminare sempre la batteria prima di caricarla.
- Se si notano malfunzionamenti nel prodotto, interrompere immediatamente il processo di carica e contattare Horizon Hobby.
- Verificare sempre le caratteristiche delle batterie da caricare o scaricare per essere certi che siano adatte a questo caricabatterie.
- Non collegare più di un pacco alla volta a questo caricabatterie.
- Controllare costantemente la temperatura del pacco durante la carica.
- Interrompere il processo di carica se si nota un eccessivo surriscaldamento o una deformazione della batteria o del caricabatterie.

INSTALLARE LE BATTERIE DEL TRASMETTITORE



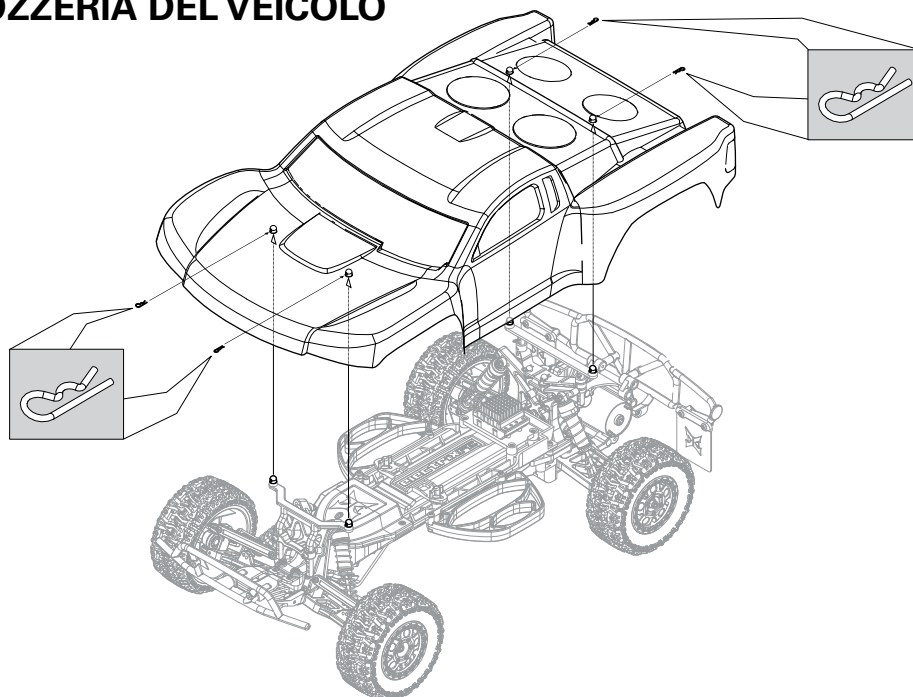
⚠ ATTENZIONE: si raccomanda di ricaricare solo le batterie ricaricabili e non le pile alcaline, perché queste ultime si surriscaldano e potrebbero incendiarsi e scoppiare con evidenti danni e lesioni.

Inserire 4 pile a stilo AA nel trasmettitore, seguendo le istruzioni fornite con il radiocomando. Vi consigliamo di usare solo pile alcaline AA nel trasmettitore, però è possibile usare anche batterie a stilo ricaricabili Ni-MH.

NON montare mai batterie danneggiate, di tipo diverso o di età differente. Togliere le batterie quando sono scariche.

NON conservare il trasmettitore con le batterie installate.

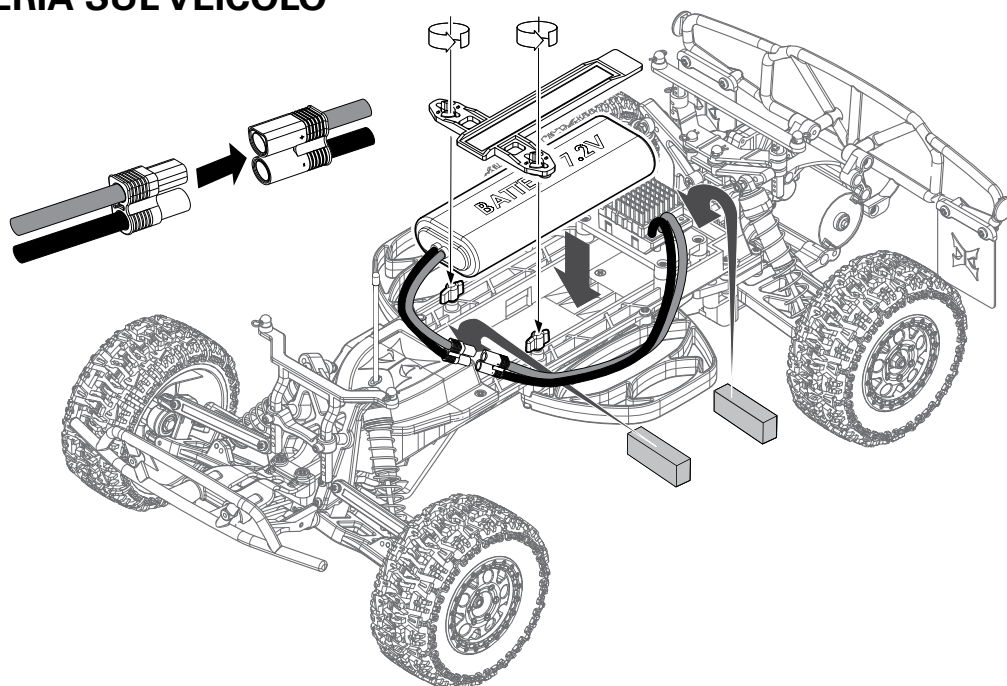
TOGLIERE LA CARROZZERIA DEL VEICOLO



INSTALLARE LA BATTERIA SUL VEICOLO

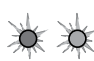

1. Allentare i galletti e togliere la piastra ferma batteria.
2. Installare la batteria.
3. Rimettere la piastra ferma batteria.
4. Stringere i galletti per fissare il tutto.
5. Collegare la batteria.

Volendo si può mettere dei blocchi di gommapiuma (ECX2015) davanti alla batteria per spostare indietro il suo peso e aumentare la trazione, oppure dietro alla batteria per aumentare la risposta dello sterzo.




CONTROLLI DEL TRASMETTITORE


Indicatore livello batteria

-  LED rosso e verde accesi: la tensione è buona (superiore ai 4 V).
-  Solo LED rosso acceso: la tensione della batteria è troppo bassa (inferiore ai 4 V). Sostituire le batterie del trasmettitore.


Riduttore di corsa del motore

-  Regola la corsa massima adatta per quel modello


Corsa dello sterzo

-  Regola la quantità di sterzo in relazione al movimento del volante

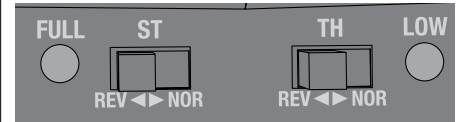
Trim del motore

-  Regola il punto neutro del regolatore elettronico di velocità (ESC)

Trim dello sterzo

-  La sua regolazione permette di centrare lo sterzo quando il volante è al centro

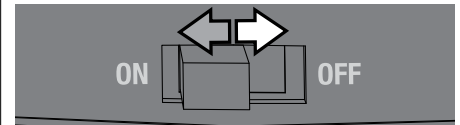
Interruttore Reverse



Permette di cambiare il verso di rotazione del servo che controlla lo sterzo (ST. REV) e il verso di intervento del regolatore (TH. REV). Di default sono su REV

Interruttore di accensione

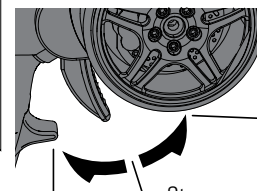
Accende e spegne il trasmettitore



Volantino per lo sterzo

-  Controlla lo sterzo a destra e a sinistra secondo la posizione dell'interruttore ST. REV

Grilletto per il motore



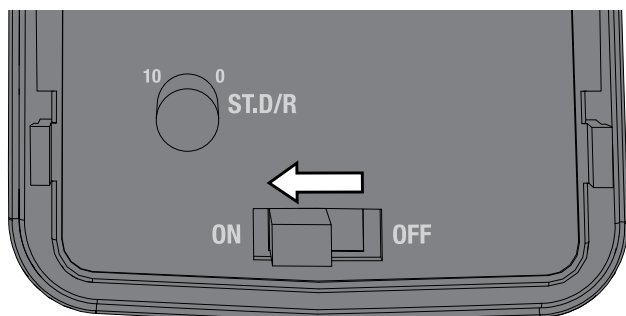
Marcia avanti (quando l'interruttore TH.REV è su R)

Controlla la potenza del motore in avanti e indietro secondo la posizione dell'interruttore TH. REV

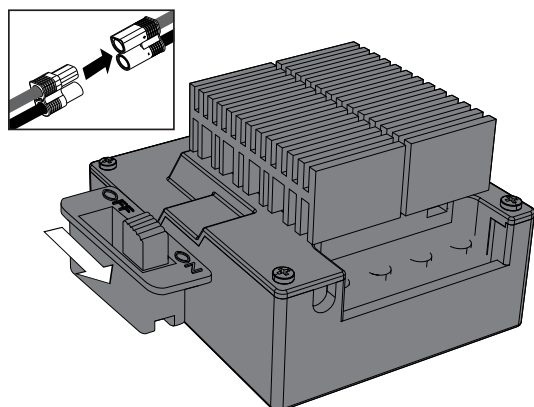
Marcia indietro (quando l'interruttore TH.REV è su R)

COME INIZIARE

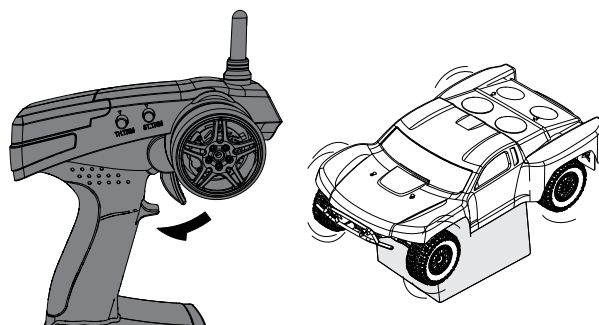
1. Accendere il trasmettitore.



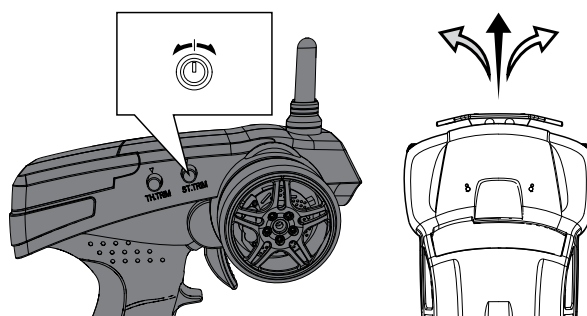
2. Accendere il regolatore (ESC).



3. Fare una verifica del funzionamento del veicolo con le ruote staccate da terra.

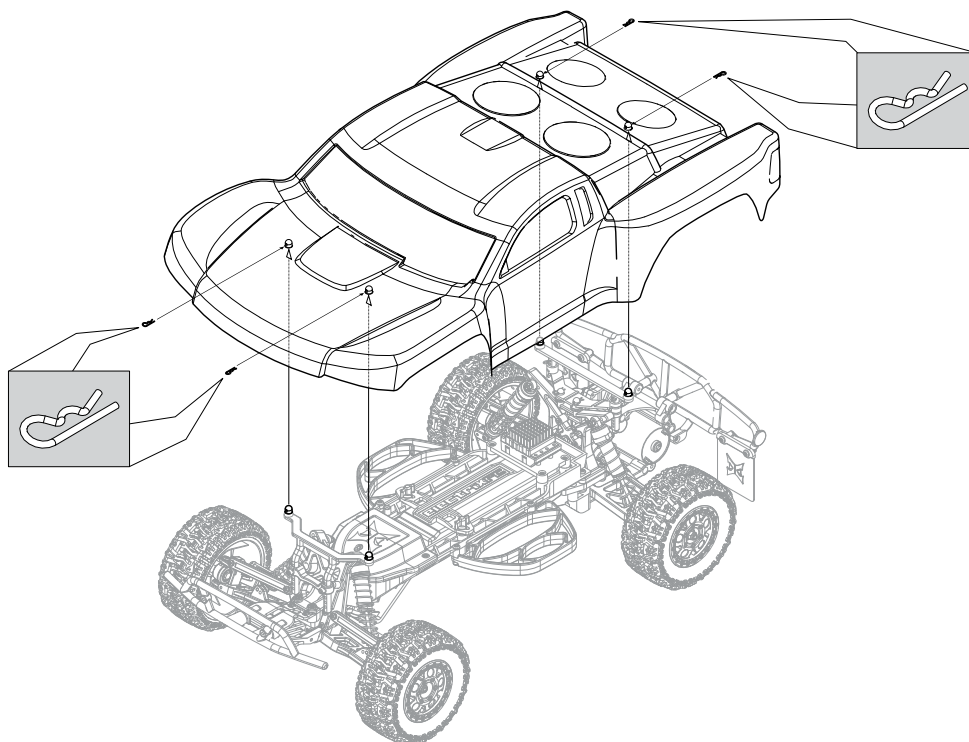


4. Iniziare andando piano, se il veicolo non andasse dritto con lo sterzo al centro, regolare il trim dello sterzo.



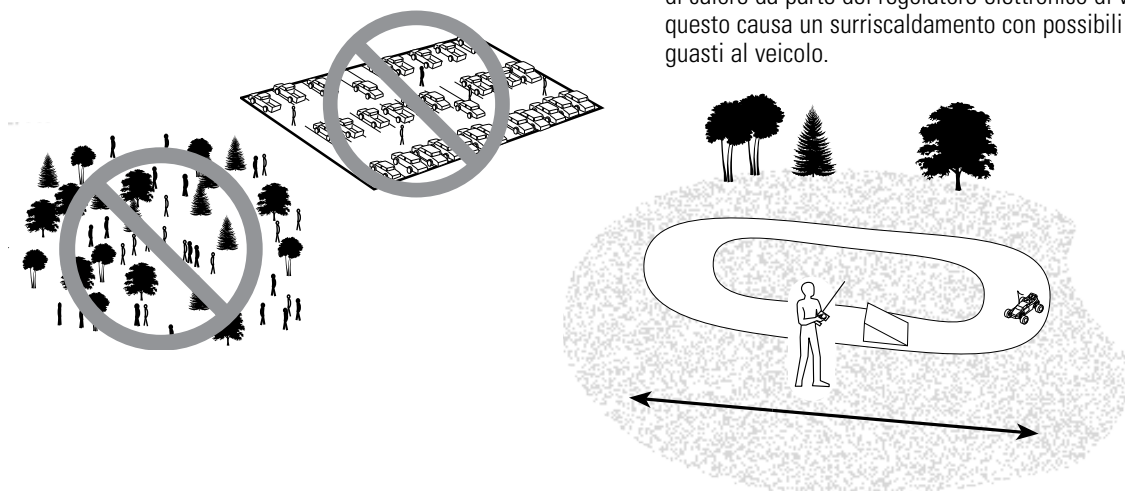
AVVISO: fare il rodaggio delle spazzole del motore andando piano su di una superficie piana per tutta la durata della prima carica della batteria. Un rodaggio ben fatto migliora le prestazioni e prolunga la vita del motore.

MONTARE LA CARROZZERIA SUL VEICOLO



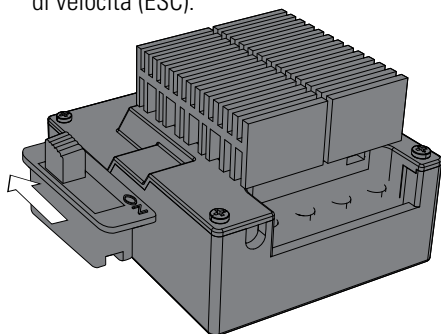
UTILIZZO

- Accendere sempre il trasmettitore prima dell'impianto ricevente montato sul veicolo. Spegnerlo sempre il ricevitore prima del trasmettitore.
- Usare il veicolo in uno spazio aperto. Se lo si usasse in spazi ristretti o al coperto, si avrebbe un surriscaldamento a bassa velocità. Infatti a bassa velocità si ha una maggior produzione di calore da parte del regolatore elettronico di velocità (ESC); questo causa un surriscaldamento con possibili danni o guasti al veicolo.

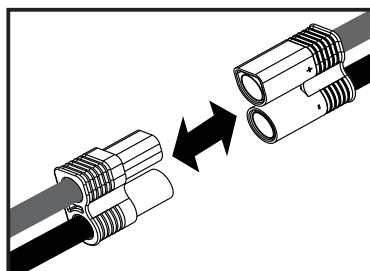


AL TERMINE DELL'UTILIZZO

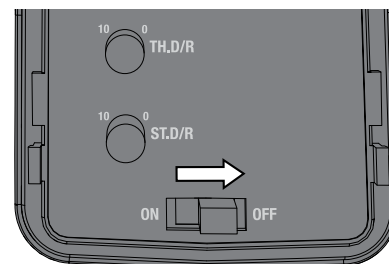
1. Spegnerlo il regolatore elettronico di velocità (ESC).



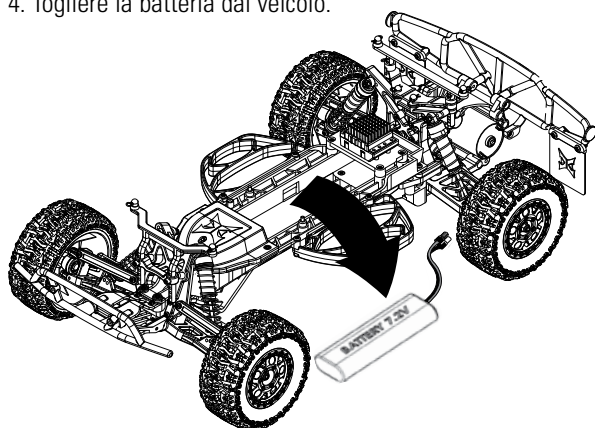
2. Scollegare la batteria.



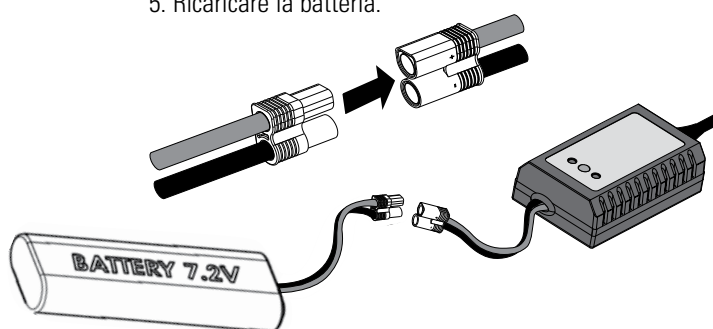
3. Spegnerlo il trasmettitore.



4. Togliere la batteria dal veicolo.



5. Ricaricare la batteria.



CURA DEL MOTORE

- Per assestare le spazzole del motore, si raccomanda di guidare lentamente su di una superficie piana per tutta la prima carica della batteria.
- Per allungare la vita del motore, evitare le situazioni che possono portare ad un surriscaldamento. Il motore si usura eccessivamente se si fanno curve e arresti/partenze frequenti, si spingono oggetti, si guida nella sabbia profonda, nell'erba alta o continuamente in salita.
- Sul regolatore elettronico (ESC) c'è una protezione per evitare danni al circuito causati dalle alte temperature, però non può proteggere il motore dai sovraccarichi esagerati.

MANTENIMENTO

REGOLAZIONE DEGLI INGRANAGGI

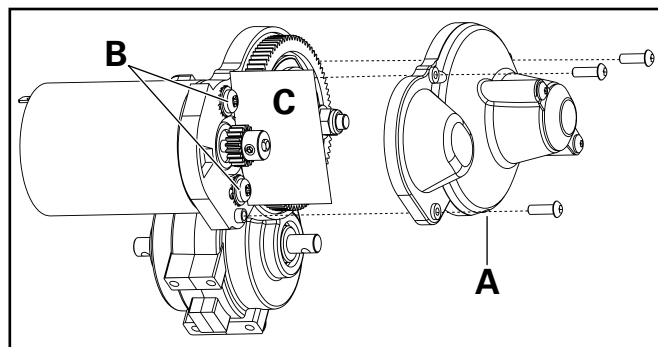
Questa regolazione è già stata fatta in fabbrica. Sarà necessario farlo solo quando si cambia motore o ingranaggi.

Per fare questa regolazione bisogna togliere la copertura (A).

Una giusta regolazione del gioco fra gli ingranaggi è molto importante per avere delle buone prestazioni dal veicolo. Se il gioco fosse troppo, la corona potrebbe essere danneggiata dal pignone del motore. Se ci fosse poco gioco, l'attrito ridurrebbe la velocità del veicolo e ci sarebbe un surriscaldamento del regolatore (ESC). Per una giusta regolazione di questo gioco, seguire queste semplici indicazioni:

1. Allentare le due viti del motore (B).
2. Mettere un piccolo pezzo di carta (C) tra il pignone e la corona.
3. Spingere gli ingranaggi uno contro l'altro mentre si stringono le viti del motore.

4. Ruotare gli ingranaggi per recuperare il pezzo di carta. Resterà un piccolo gioco.
5. Rimettere il carter sugli ingranaggi.

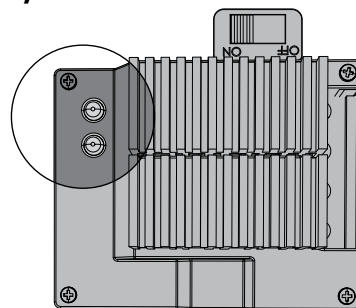


REGOLATORE ELETTRONICO DI VELOCITÀ (ESC)

Lo spegnimento per bassa tensione (LVC) protegge la batteria dalla sovraccarica e si attiva quando la tensione della batteria scende al di sotto di 1 V per elemento. Il regolatore si ripristina dopo circa 10 secondi. Quindi si può far rientrare il veicolo per sostituire la batteria o per ricaricarla.

Importante: quando il motore è scollegato o danneggiato, si potrebbe non udire il beep di avvertimento.

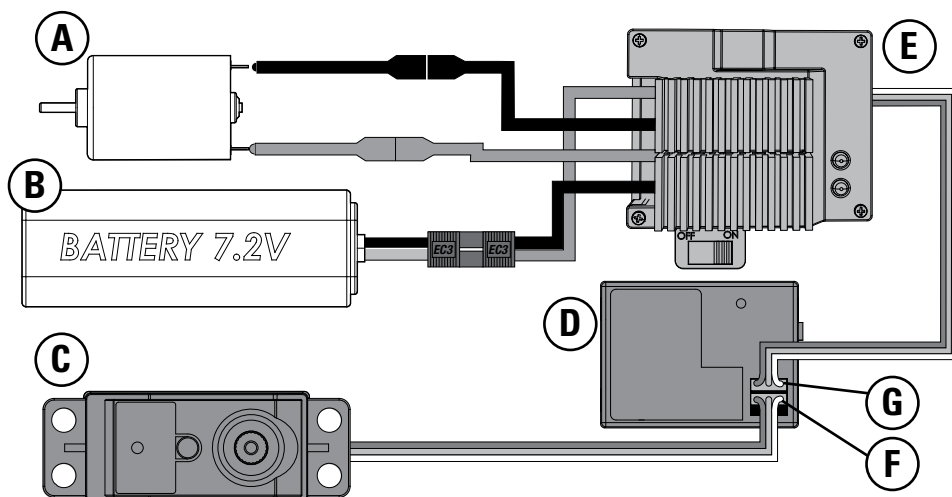
AVVISO: se si aspetta di arrivare sempre al punto LVC, la batteria potrebbe subire danni.



LED	Stato dei LED	Indicazione dei LED
□ □	Verde fisso	Velocità massima avanti/stop
□ ■	Rosso fisso	Velocità massima all'indietro
□ ■	Rosso e verde fissi	Freno
 beep beep — beep beep — beep beep	Il LED rosso lampeggia due volte con beep	Avviso che la batterie del veicolo è quasi scarica
 beep beep beep — beep beep beep — beep beep beep	Il LED rosso lampeggia tre volte con beep	Il motore è sovraccaricato o la temperatura dell'ESC è troppo alta

SCHEMA ELETTRICO

	Ammortizzatore posteriore	Ammortizzatore anteriore
A	ECX1071	Motore
B	DYN1050	Batteria 7.2V
C	ECX1069	Servo
D	SPMSR200	Ricevitore
E	ECX1070	Regolatore elettronico (ESC)
F		Canale 1
G		Canale 2



Per un funzionamento corretto, i canali 1 e 2 devono essere collegati come illustrato nello schema a fianco. Il motore può essere scollegato dal variatore staccando i connettori.

PULIZIA DEGLI AMMORTIZZATORI

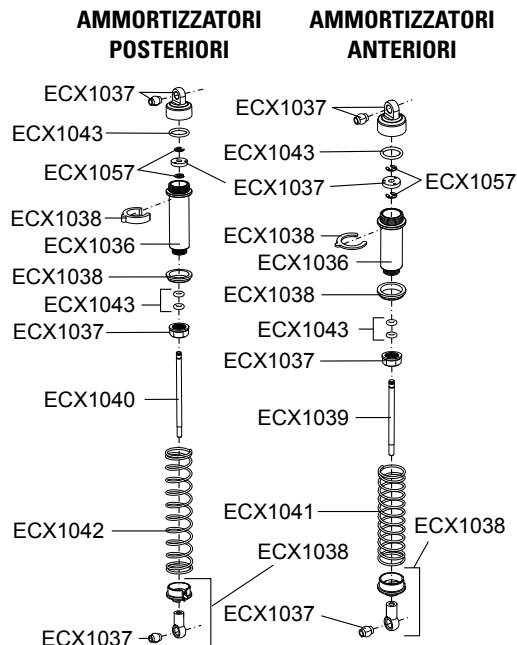
Gli ammortizzatori idraulici richiedono una manutenzione costante perchè l'olio si consuma o si sporca. Effettuate questa manutenzione ogni 3 o 5 ore d'uso, in base alle condizioni nelle quali il modello è utilizzato.

- Smontate gli ammortizzatori dal modello.
- Smontate i tappi dagli ammortizzatori ed eliminate l'olio usato.
- Smontate gli ammortizzatori pezzo per pezzo e lavate tutto con DYN5505. Aspettate che i pezzi siano asciutti prima di rimontarli.
- Rimontate gli ammortizzatori e riempiteli con apposito olio al silicone (è raccomandata una densità di 30 WT).
- Fate scorrere su e giù lentamente il pistone dell'ammortizzatore per eliminare le bolle d'aria.
- Portate i pistoni a metà della corsa utile e rimontate il tappo.
- Ripulite l'ammortizzatore da eventuale olio fuoriuscito.
- Se il montaggio è corretto, dopo essere compresso completamente lo stelo dell'ammortizzatore dovrebbe fuoriuscire circa 9,5mm.
- Rimontate gli ammortizzatori sul modello.

Regolazione dell'altezza di marcia

L'altezza di marcia è una regolazione che incide su come il veicolo fa i salti, fa le curve e va sui dossi. Lasciare cadere un'estremità del veicolo su di una superficie piana, da un'altezza di circa 15 cm. Quando si lascia cadere la parte anteriore del veicolo, dopo che si è stabilizzato, verificare che le posizioni dei braccetti anteriori siano uguali e parallele alla superficie piana. Si faccia la stessa cosa con la parte posteriore per verificare che entrambi i braccetti siano paralleli alla superficie piana.

Abbassando l'altezza anteriore si aumenta la direzionalità.
Abbassando l'altezza posteriore si aumenta la trazione ma si diminuisce la direzionalità.



Codice	Descrizione
ECX1036	Set corpi ammortizzatori
ECX1037	Set tappi e pistoni ammortizzatori
ECX1038	Shock Parts Set
ECX1039	Steli ammortizzatori anteriori (2)
ECX1040	Steli ammortizzatori posteriori (2)
ECX1041	Molle ammortizzatori anteriori (2)
ECX1042	Molle ammortizzatori posteriori (2)
ECX1043	Set o-ring ammortizzatori

VITI, DADI E RONDELLE

Codice	Descrizione	Codice	Descrizione	Codice	Descrizione	Codice	Descrizione
	Vite autofilettante testa tonda M3x10mm		Vite testa tonda M3x8mm		Vite testa a brugola M2,5x4mm		Spina filettata M3x13mm
	Vite autofilettante testa Svasata M3x12mm		Vite testa tonda M3x12mm		Vite testa a brugola M2,5x8mm		Rondella 5x7x0,5mm
	Vite autofilettante testa tonda M3x16mm		Vite testa tonda M3x20mm		Vite a doppio stadio M3x0,5x7,4mm		Rondella 3x8x0,5mm
	Vite autofilettante testa tonda M3x18mm		Vite testa tonda M3x25mm		Vite a doppio stadio M3x0,5x13,4mm		Rondella 2x7x0,5mm
	Vite autofilettante testa Svasata M3x10mm		Vite testa tonda M3x30mm		Vite a doppio stadio M3x0,5x10,5mm		Dado autobloccante flangiato M4
	Vite autofilettante testa Svasata M3x12mm		Vite testa tonda M2x6mm		Grano M3x3mm		Dado autobloccante M3
	Vite autofilettante testa Svasata M3x15mm		Vite autofilettante testa Svasata M3x10mm		Grano M3x12mm		E-CLIP E2.5
	Vite autofilettante testa Svasata M3x16mm						Lock Washer

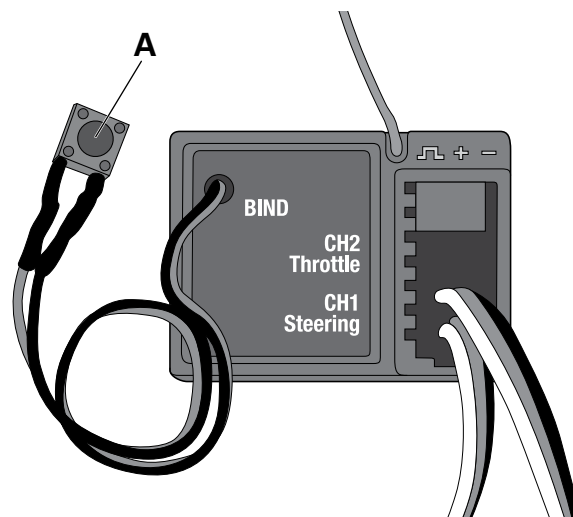
CONNESSIONE (BINDING)

Failsafe

Nel malaugurato caso che si perda il collegamento fra trasmettitore e ricevitore, i servi vengono posizionati come era stato programmato con il failsafe (normalmente motore spento e sterzo dritto). Il ricevitore entra nel modo failsafe quando lo si accende prima del trasmettitore e quindi i servi vanno nella posizione predisposta. Quando poi si accende il trasmettitore, viene ripreso il controllo normale. La posizione dei servi per il failsafe viene impostata quando si fa la connessione (binding).

Questa è la procedura che programma il ricevitore a riconoscere il codice unico GUID del trasmettitore. Il trasmettitore e il ricevitore inclusi sono già connessi dalla fabbrica. Se fosse necessario rifare la connessione bisogna seguire queste indicazioni.

1. Spegner il trasmettitore e l'ESC.
2. Collegare all'ESC una batteria completamente carica.
3. Accendere l'ESC.
4. Togliere la copertura anteriore e premere il pulsante (A) sul ricevitore. Il suo LED rosso lampeggia velocemente.
5. Accendere il trasmettitore.
6. Il LED rosso sul ricevitore diventa fisso quando il sistema è connesso. Rimettere la copertura anteriore.



Bisogna rifare la connessione (rebind) quando:

Si vuole impostare una diversa posizione dei servi per il failsafe, soprattutto quando si dovessero invertire le corse dei servi.

Connettere il ricevitore ad un diverso trasmettitore.

GUIDA ALLA RISOLUZIONE DEI PROBLEMI

Problema	Possibili cause	Soluzione
Breve durata della carica	<ul style="list-style-type: none"> • Batteria difettosa o non caricata • Motore sporco o spazzole consumate 	<ul style="list-style-type: none"> • Verificare/caricare la batteria • Verificare/pulire/sostituire
Risposta lenta	<ul style="list-style-type: none"> • Motore sporco o spazzole consumate • Impedimenti nella trasmissione • La batteria non è carica 	<ul style="list-style-type: none"> • Verificare/pulire/sostituire • Pulire/sistemare • Sostituire/ricaricare
Controlli invertiti	<ul style="list-style-type: none"> • ST.REV oppure TH.REV 	<ul style="list-style-type: none"> • Cambiare la posizione dell'interruttore
Motore/ESC surriscaldati	<ul style="list-style-type: none"> • Ingranaggi con passo troppo lungo 	<ul style="list-style-type: none"> • Montare un pignone più piccolo
Non funziona nulla	<ul style="list-style-type: none"> • Trasmettitore con batteria scarica • Trasmettitore spento • ESC spento • Batteria del veicolo scarica 	<ul style="list-style-type: none"> • Sostituire/ricaricare • Accendere • Accendere • Sostituire/ricaricare
Portata scarsa	<ul style="list-style-type: none"> • Batteria del trasmettitore quasi scarica • Antenna trasmettitore rotta o scollegata • Antenna ricevitore danneggiata 	<ul style="list-style-type: none"> • Sostituire/ricaricare • Controllare/collegare • Controllare/riparare/sostituire
Il sistema non si connette	<ul style="list-style-type: none"> • Trasmettitore e ricevitore troppo vicini tra di loro • Trasmettitore e ricevitore troppo vicini a grosse masse metalliche (auto, ecc.) • Trasmettitore posto accidentalmente in modo "bind" così il ricevitore ha perso la connessione 	<ul style="list-style-type: none"> • Allontanare il trasmettitore a 3-4 metri dal ricevitore • Allontanarsi dalle masse metalliche • Rifare il "bind" fra trasmettitore e ricevitore
Il ricevitore va in failsafe a breve distanza dal trasmettitore	<ul style="list-style-type: none"> • Verificare che l'antenna del ricevitore non sia tagliata o danneggiata 	<ul style="list-style-type: none"> • Contattare il supporto Horizon • Controllare che l'antenna del ricevitore sia protetta da un tubetto e posta nella parte superiore del veicolo
Il ricevitore smette di rispondere durante l'utilizzo	<ul style="list-style-type: none"> • Batteria quasi scarica • Fili e connettori staccati o danneggiati tra batteria e ricevitore 	<ul style="list-style-type: none"> • Caricare completamente la batteria • Controllare fili e connessioni ed eventualmente riparare o sostituire
Il ricevitore perde la connessione	<ul style="list-style-type: none"> • Trasmettitore posto accidentalmente in modo "bind" 	<ul style="list-style-type: none"> • Rifare il "bind" fra trasmettitore e ricevitore

DURATA DELLA GARANZIA

Periodo di garanzia

Garanzia esclusiva - Horizon Hobby, Inc., (Horizon) garantisce che i prodotti acquistati (il "Prodotto") sono privi di difetti relativi ai materiali e di eventuali errori di montaggio. Il periodo di garanzia è conforme alle disposizioni legali del paese nel quale il prodotto è stato acquistato. Tale periodo di garanzia ammonta a 6 mesi e si estende ad altri 18 mesi dopo tale termine.

Limiti della garanzia

(a) La garanzia è limitata all'acquirente originale (Acquirente) e non è cedibile a terzi. L'acquirente ha il diritto a far riparare o a far sostituire la merce durante il periodo di questa garanzia. La garanzia copre solo quei prodotti acquistati presso un rivenditore autorizzato Horizon. Altre transazioni di terze parti non sono coperte da questa garanzia. La prova di acquisto è necessaria per far valere il diritto di garanzia. Inoltre, Horizon si riserva il diritto di cambiare o modificare i termini di questa garanzia senza alcun preavviso e di escludere tutte le altre garanzie già esistenti.

(b) Horizon non si assume alcuna garanzia per la disponibilità del prodotto, per l'adeguatezza o l'idoneità del prodotto a particolari previsti dall'utente. È sola responsabilità dell'acquirente il fatto di verificare se il prodotto è adatto agli scopi da lui previsti.

(c) Richiesta dell'acquirente – spetta soltanto a Horizon, a propria discrezione riparare o sostituire qualsiasi prodotto considerato difettoso e che rientra nei termini di garanzia. Queste sono le uniche rivalse a cui l'acquirente si può appellare, se un prodotto è difettoso.

Horizon si riserva il diritto di controllare qualsiasi componente utilizzato che viene coinvolto nella rivalsa di garanzia. Le decisioni relative alla sostituzione o alla riparazione avvengono solo in base alla discrezione di Horizon. Questa garanzia non copre dei danni superficiali o danni per cause di forza maggiore, uso errato del prodotto, negligenza, uso ai fini commerciali, o una qualsiasi modifica a qualsiasi parte del prodotto.

Questa garanzia non copre danni dovuti ad una installazione errata, ad un funzionamento errato, ad una manutenzione o un tentativo di riparazione non idonei a cura di soggetti diversi da Horizon. La restituzione del prodotto a cura dell'acquirente, o da un suo rappresentante, deve essere approvata per iscritto dalla Horizon.

Limiti di danno

Horizon non si riterrà responsabile per danni speciali, diretti, indiretti o consequenziali; perdita di profitto o di produzione; perdita commerciale connessa al prodotto, indipendentemente dal fatto che la richiesta si basa su un contratto o sulla garanzia. Inoltre la responsabilità di Horizon non supera mai in nessun caso il prezzo di acquisto del prodotto per il quale si chiede la responsabilità. Horizon non ha alcun controllo sul montaggio, sull'utilizzo o sulla manutenzione del prodotto o di combinazioni di vari prodotti. Quindi Horizon non accetta nessuna responsabilità per danni o lesioni derivanti da tali circostanze. Con l'utilizzo e il montaggio del prodotto l'utente acconsente a tutte le condizioni, limitazioni e riserve di garanzia citate in questa sede.

Qualora l'utente non fosse pronto ad assumersi tale responsabilità associata all'uso del prodotto, si suggerisce di restituire il prodotto intatto, mai usato e immediatamente presso il venditore.

Indicazioni di sicurezza

Questo è un prodotto sofisticato di hobbistica e non è un giocattolo. Esso deve essere manipolato con cautela, con giudizio e richiede delle conoscenze basilari di meccanica e delle facoltà mentali di base. Se il prodotto non verrà manipolato in maniera sicura e responsabile potrebbero risultare delle lesioni, dei gravi danni a persone, al prodotto o all'ambiente circostante. Questo prodotto non è concepito per essere usato dai bambini senza una diretta supervisione di un adulto. Il manuale del prodotto contiene le istruzioni di sicurezza, di funzionamento e di manutenzione del prodotto stesso. È fondamentale leggere e seguire tutte le istruzioni e le avvertenze nel manuale prima di mettere in funzione il prodotto. Solo così si eviterà un utilizzo errato e di preverranno incidenti, lesioni o danni.

Domande, assistenza e riparazioni

Il vostro negozio locale e/o luogo di acquisto non possono fornire garanzie di assistenza o riparazione senza previo colloquio con Horizon. Questo vale anche per le riparazioni in garanzia. Quindi in tali casi bisogna interpellare un rivenditore, che si metterà in contatto subito con Horizon per prendere una decisione che vi possa aiutare nel più breve tempo possibile.

Manutenzione e riparazione

Se il prodotto deve essere ispezionato o riparato, si prega di rivolgersi ad un rivenditore specializzato o direttamente ad Horizon. Il prodotto deve essere imballato con cura. Bisogna far notare che i box originali solitamente non sono adatti per effettuare una spedizione senza subire alcun danno. Bisogna effettuare una spedizione via corriere che fornisce una tracciabilità e un'assicurazione, in quanto Horizon non si assume alcuna responsabilità in relazione alla spedizione del prodotto. Inserire il prodotto in una busta assieme ad una descrizione dettagliata degli errori e ad una lista di tutti i singoli componenti spediti. Inoltre abbiamo bisogno di un indirizzo completo, di un numero di telefono per chiedere ulteriori domande e di un indirizzo e-mail.

Garanzia a riparazione

Le richieste in garanzia verranno elaborate solo se è presente una prova d'acquisto in originale proveniente da un rivenditore specializzato autorizzato, nella quale è ben visibile la data di acquisto. Se la garanzia viene confermata, allora il prodotto verrà riparato o sostituito. Questa decisione spetta esclusivamente a Horizon Hobby.

Riparazioni a pagamento

Se bisogna effettuare una riparazione a pagamento, effettueremo un preventivo che verrà inoltrato al vostro rivenditore. La riparazione verrà effettuata dopo l'autorizzazione da parte del vostro rivenditore. La somma per la riparazione dovrà essere pagata al vostro rivenditore. Le riparazioni a pagamento avranno un costo minimo di 30 minuti di lavoro e in fattura includeranno le spese di restituzione. Qualsiasi riparazione non pagata e non richiesta entro 90 giorni verrà considerata abbandonata e verrà gestita di conseguenza.



ATTENZIONE: Le riparazioni a pagamento sono disponibili solo sull'elettronica e sui motori. Le riparazioni a livello meccanico, soprattutto per gli elicotteri e le vetture RC sono molto costose e devono essere effettuate autonomamente dall'acquirente.

Garanzia e Assistenza informazioni per i contatti

Stato in cui il prodotto è stato acquistato	Horizon Hobby	Indirizzo	Telefono/Indirizzo e-mail
Germania	Horizon Technischer Service	Christian-Junge-Straße 1 25337 Elmshorn, Germania	+49 (0) 4121 2655 100 service@horizonhobby.de

INFORMAZIONI SULLA CONFORMITÀ PER L'UNIONE EUROPEA

CE Dichiarazione di conformità (in conformità con ISO/IEC 17050-1)

No. HH2012071401

Prodotto/i: ECX 1/10th Scale Torment
Short Course Truck V2.0

Numero(i) articolo: ECX4000S, ECX4100S

Classe dei dispositivi: 1

Gli oggetti presentati nella dichiarazione sopra citata sono conformi ai requisiti delle specifiche elencate qui di seguito, seguendo le disposizioni della direttiva europea ARTT 1999/5/EC, CEM direttiva 2004/108/EC y LVD 2006/95/EC:

EN 300-328 V1.7.1

EN 301 489-1 V1.7.1: 2006

EN 301 489-17 V1.3.2: 2008

EN 60950-1:2006+A12: 2011

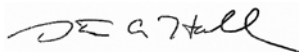
EN55022: 2010

EN55024: 2010

EN61000-3-2:2006+A1:2009+A2:2009

EN61000-3-3:2008

Firmato per conto di:
Horizon Hobby, Inc.
Champaign, IL USA
14 luglio 2012



Steven A. Hall
Executive Vice President and Chief Operating Officer
International Operations and Risk Management
Horizon Hobby, Inc.

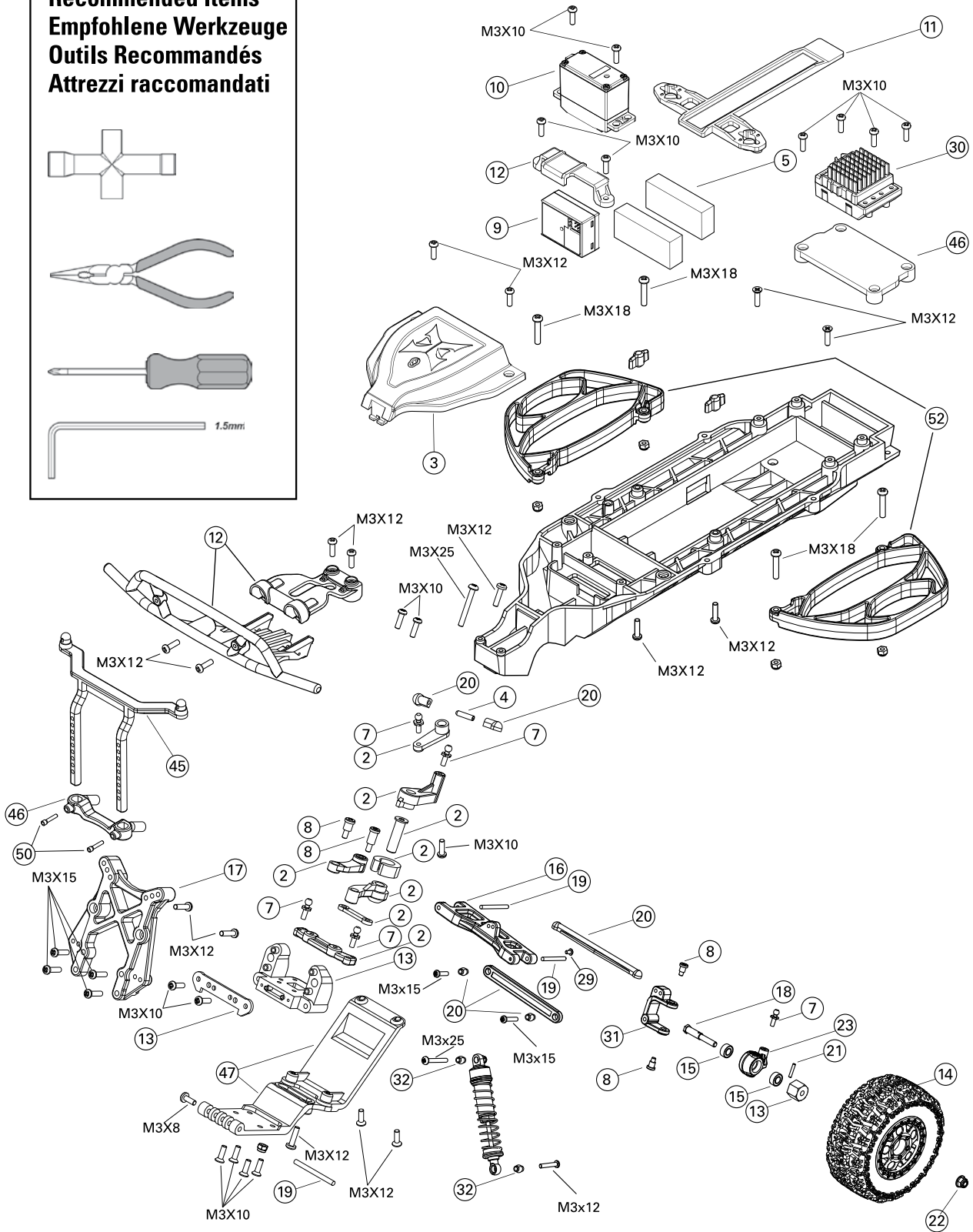
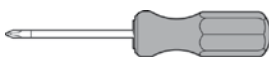
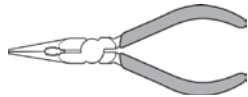
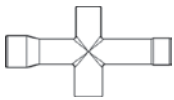


Smaltimento all'interno dell'Unione Europea

Questo prodotto non deve essere smaltito assieme ai rifiuti domestici. Invece è responsabilità dell'utente lo smaltimento di tali rifiuti, che devono essere portati in un centro di raccolta designato per il riciclaggio di rifiuti elettronici. Con tale procedimento si aiuterà preservare l'ambiente e le risorse non verranno sprecate. In questo modo si proteggerà il benessere dell'umanità. Per maggiori informazioni sui punti di riciclaggio si prega di contattare il proprio ufficio locale o il servizio di smaltimento rifiuti.

PARTS DIAGRAM | EXPLOSIONSZEICHNUNG | VUE ÉCLATÉE DES PIÈCES | ESPLOSO DEL MODELLO CON REFERENZA PEZZI

Recommended Items Empfohlene Werkzeuge Outils Recommandés Attrezzi raccomandati



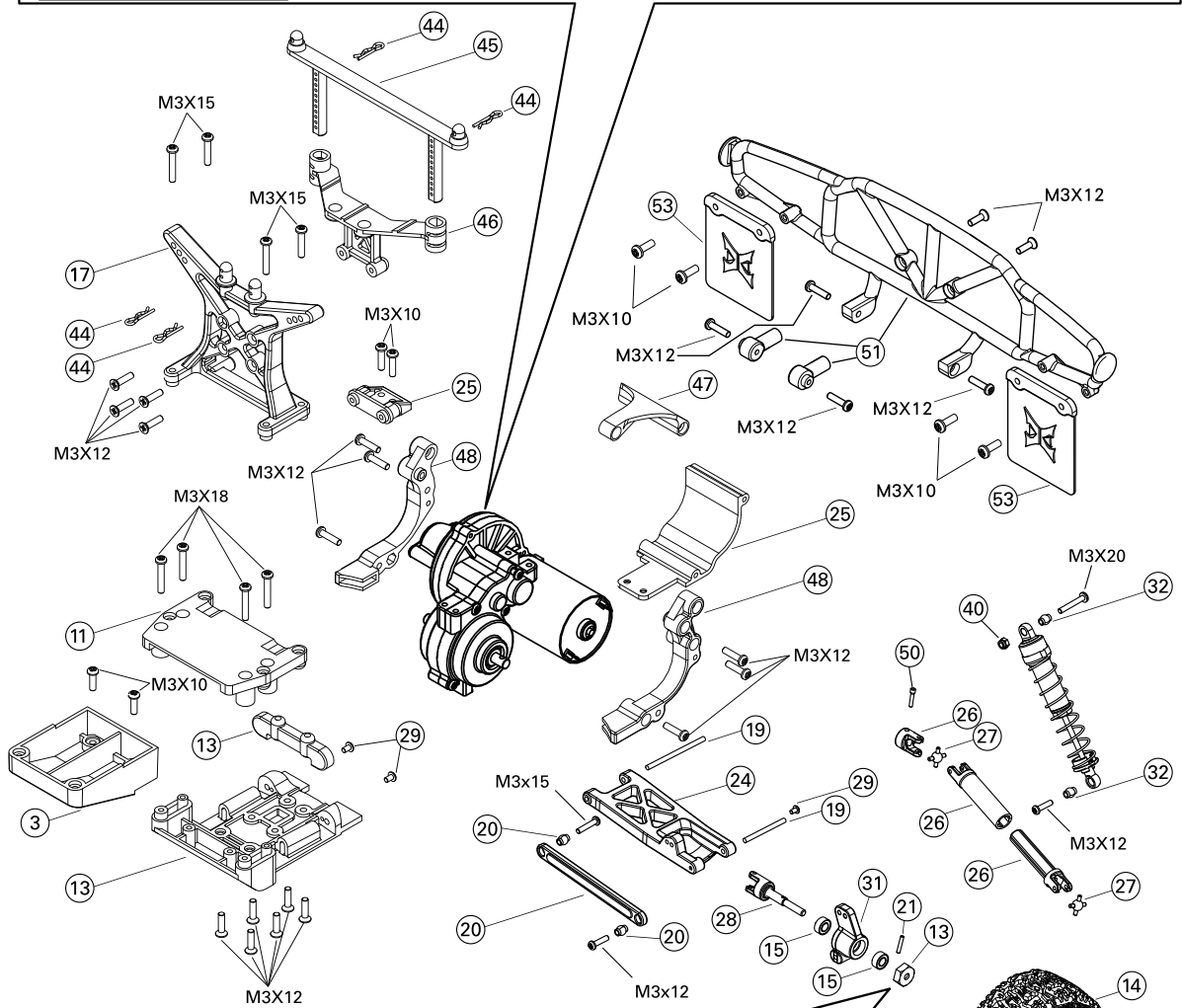
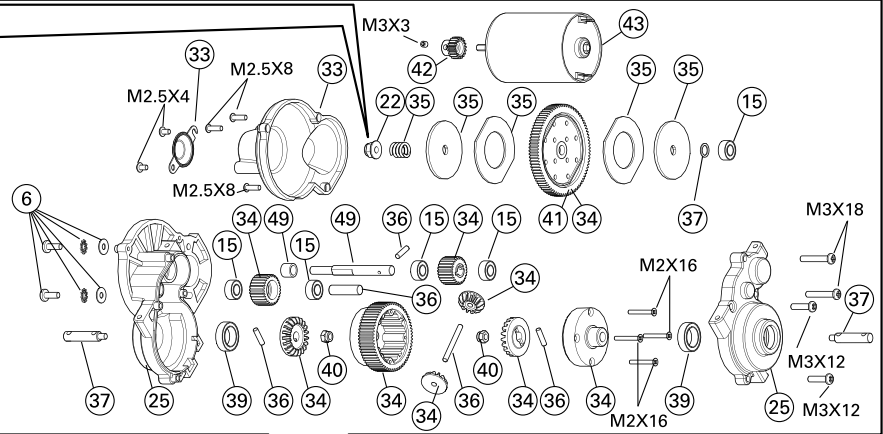
PARTS DIAGRAM | EXPLOSIONSZEICHNUNG | VUE ÉCLATÉE DES PIÈCES | ESPLOSO DEL MODELLO CON REFERENZA PEZZI

The slipper clutch can be adjusted using this locknut (ECX1060). Fully tighten the locknut, then loosen the nut two full turns.

Die Rutschkupplung kann durch diese Stopmutter eingestellt werden (ECX1060). Ziehen Sie die Mutter an und drehen Sie dann volle zwei Umdrehungen zurück.

Il est possible d'ajuster l'embrayage "patinant" par action sur cet écrou de blocage (ECX1060). Veuillez à serrer l'écrou de blocage à fond. Ensuite, dévissez l'écrou de trois tours complets.

La frizione può essere regolata con questo dado autobloccante (ECX1060). Prima avvitate completamente il dado, poi svitatelo 2 giri.



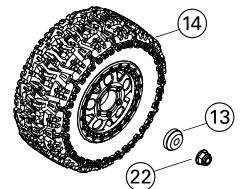
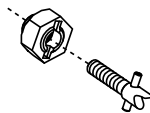
When installing the wheel, make sure the drive hex is aligned with the drive pin.

When the drive hex is removed, the drive pin can fall out of the axle.

Bitte stellen Sie sicher, dass die Kanäle 1 und 2 wie abgebildet eingesteckt sind. Die Motorkabel können über Steckverbinder vom Regler getrennt werden.

Lors de l'installation de la roue, assurez-vous que l'écrou hexagonal est aligné avec la broche de l'axe d'entraînement. En cas de démontage de l'écrou hexagonal, la broche de l'axe d'entraînement peut sortir de l'axe et tomber.

Quando montate le ruote, accertatevi che il trascinatoressagonale sia allineato con la spina del mozzo ruota. Quando togliete il trascinatoressagonale la spina può sfilarsi dal mozzo.



Part # Nummer Numéro Codice		Description	Beschreibung	Description	Descrizione
DYN4113		2A Peak Charger	2A Peak Ni-MH Ladegerät	2A Chargeur à détection de pics	2A Caricabatterie a rilevamento di picchi
DYN1050EC		Ni-MH battery	Ni-MH akku	Batterie Ni-MH	Batteria Ni-MH
1	ECX2008	Main Chassis	Chassis	Châssis principal	Telaio principale
2	ECX1028	Servo Saver Set	Servo Saver Set	Jeu de sauvegarde de servo	Set salvaservo
3	ECX2011	Cover and Rear Mount Set	Abdeckung und hinterer Halter Set	Capot et fixations arrières	Copertura e set montaggio posteriore
4	ECX1050	Setscrew M3x12 (4)	Schrauben Set M3x12 (4)	Jeu de vis M3x12 (4)	Grani M3x12 (4)
5	ECX2015	Foam Block	Schaum Block	Bloc de mousse	Spugna distanziale batteria
6	ECX1052	Motor Screw/Washer Set	Set Motorschrauben/ Unterlegscheiben	Vis Moteur/Set Rondelles	Viti per il motore/ set di rondelle
7	ECX1058	Ball Stud (6)	Kugelkopf (6)	Rondelle (6)	Sfere Uniball (6)
8	ECX1065	Shoulder Screw Set (8)	Passschrauben Set (8)	Jeu de vis épaulées (8)	Set viti a doppio stadio (8)
9	ECX9011	Receiver	Empfänger	Récepteur	Ricevente
10	DYN3900	Servo	Servo	Servo	Servo
11	ECX1088	Battery Hold Down	Akkualter	Support de batterie	Piastra fermabatteria
12	ECX4005	Front Bumper Set	Stoßstange vorne hinten	Jeu de pare-chocs avant/arrière	Set paraurti ant/post
13	ECX2006	Suspension Arm Mount Set	Querlenker Set hinten	Jeu de renfort de suspension	Supporti braccetti sosp.
14	ECX4003	Mounted Wheel/Tire (2)	Rad montiert (2)	Pneu monté /jante (2)	Ruote e gomme montate (2)
15	ECX1015	Wheel Bearing Set	Radlagersatz Set	Jeu de roulement de roue	Set cuscinetti ruote
16	ECX1018	Front Suspension Arm Set	Querlenker Set vorne	Jeu de bras de suspension avant	Braccetti delle sospensioni anteriori
17	ECX1020	Shock Tower Set	Dämpferbrücke	Jeu de support d'amortisseur	Supporto ammortizzatori posteriori
18	ECX1035	Front Axle (2)	Radachse vorne (2)	Axe avant (2)	Mozzi ruota anteriori (2)
19	ECX1044	Hinge Pin Set	Querlenkerbolzen Set	Jeu d'axes de bras de suspension	Set perni sospensioni
20	ECX1046	Camber, Toe Link Set	Spur- Sturzstangenset	Jeu de biellettes de carrossage et de pincement	Set tiranteria Camber e convergenza
21	ECX1049	Wheel Pins (4)	Radmitnehmerstifte (4)	Goupilles cylindriques de roues (4)	Spine trascinatori ruote (4)
22	ECX1060	M4 Locknut (4)	M4 Stopmutter (4)	Ecrou auto-freiné M4 (4)	Dadi autobloccanti M4 (4)
23	ECX1089	Steering Block Set	Lenkhebel Set	Jeu de bloc de direction	Fuselli sterzo
24	ECX1019	Rear Suspension Arm Set	Querlenker Set hinten	Jeu de bras de suspension arrière	Braccetti delle sospensioni posteriori
25	ECX1021	Transmission Case Set	Getriebegehäuse	Ensemble carter de transmission	Set scatola trasmissione
26	ECX1031	Driveshaft Set	Antriebswellen Set	Pièces plastiques de cardan	Set semiassi
27	ECX1032	Driveshaft Pivot Ball (4)	Antriebswellengelenk (4)	Croisillon de cardan (4)	Snodi semiassi (4)
28	ECX1034	Rear Axle (2)	Wellenmitnehmer hinten (2)	Axe de roue arrière (2)	Mozzi ruota anteriori (2)
29	ECX1045	Hinge Pin Screws (8)	Querlenkerbolzen Schrauben (8)	Vis de maintien d'axe (8)	Viti per perni sospensioni (8)
30	DYN4915WP	ESC	Regler / ESC	Contrôleur électronique de vitesse	Variatore elettronico (ESC)
31	ECX1090	Rear Hub Carrier Set	Hinterer Rad Träger Set	Jeu de fusées arrière	Portamozzi posteriori
32	ECX1037	Shock Caps, Pistons	Stoßdämpferkappen Kolben	Bouchon, piston et rotules d'amortisseur	Set tappi e piston ammortizzatori
33	ECX1027	Gear Cover	Getriebeabdeckung	Carter de Réducteur	Copertura per ingranaggi
34	ECX1022	Transmission Gear Set	Getriebe	Ensemble couronne de transmission	et ingranaggi trasmissione
35	ECX1024	Slipper Clutch Plates, Pads, Spring	Rutschkupplung Teilesatz	Plateaux de pression, garnitures et ressorts du slipper	Piattelli frizione, disco, molla
36	ECX1025	Transmission Idler Shaft, Drive Pins	Haupttriebewelle Set	Arbre secondaire de transmission, axes d'entraînement	Alberino intermedio con spina
37	ECX1026	Transmission Drive Shaft (2)	Getriebeausgangswelle (2)	Axe d'arbre de transmission (2)	Mozzi Differenziale (2)
38	ECX1052	Washer Set	Unterlegscheiben Set	Jeu de rondelles	Set rondelle
39	ECX1055	Bearings 10x15x4 (2)	Lager 10x15x4 (2)	Roulements 10x15x4 (2)	Cuscinetti 10x15x4 (2)
40	ECX1059	M3 Locknut (4)	M3 Stopmutter (4)	Ecrou auto-freiné M3 (4)	Dadi autobloccanti M3 (4)
41	ECX1076	Spur Gear	Hauptzahnrad	Couronne	Corona
42	ECX3018	20-Tooth Pinion Gear	Ritzel 20 Zähne	Pignon 20 dents	Pignone a 20 denti
43	DYN1172	Motor	Motor	Moteur	Motore
44	ECX1048	Body Clip	Body Clip	Clips Carrosserie	Clippe per carrozzeria
45	ECX2010	Body Post Set	Karosseriehalterset	Set Plots Carrosserie	Set di sostegni per la carrozzeria
46	ECX2009	Body Mount Set	Aufnahme Karosseriehalter	Set de support de carrosserie	Set di montaggio per la carrozzeria
47	ECX2007	Skid Plate Set	Unterfahrschutz Set	Set Plaque Chassis	Set piste di protezione
48	ECX2013	Rear Holder Set	Set Halter hinten	Set de support de transmission arrière	Set supporto posteriore
49	ECX1023	Top Shaft/Spacer	Getriebebewelle oben	Set de Goupilles	Set di spessori
50	ECX1033	Setscrew M3x10	Sicherungsschrauben (4)	Vis (4)	Viti (4)
51	ECX4006	Rear Bumper Set	Hinterer Stoßfänger Set	Set de parechoc arrière	Set paraurti posteriore
52	ECX4004	Nerf Bar Set	Seitenaufprallschutz	Set de protection latérales	Set protezione laterale
53	ECX4007	Mud Flap Set	Schmutzfängersset	Set de bavettes	Set paraspruzzi
ECX9010		Transmitter	Sender	Émetteur	Trasmettitore



ECX4000S, ECX4000SAU, ECX4000SEU | ECX4100S, ECX4100SAU, ECX4100SEU

www.ecxrc.com

35960.1 Created 7/2012

© 2012 Horizon Hobby, Inc.

ECX, Torment, Dynamite and Speedpack are trademarks or registered trademarks of Horizon Hobby, Inc. WD-40 is a registered trademark of WD-40 Manufacturing Company.